

Please, read this manual
carefully before use!

Owner's Manual



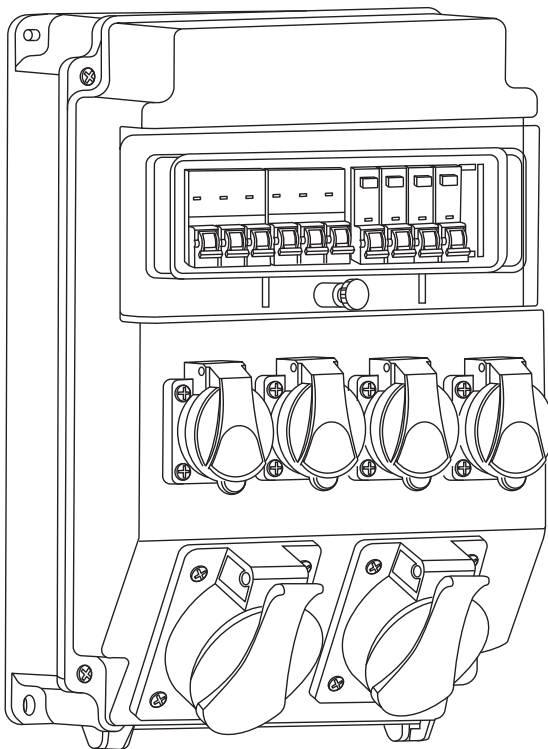
EN

Distribution boxes

KS DB6
KS DB6-P03B
KS DB6-P03C
KS DB6-P12C

KS DB11
KS DB11-P24B
KS DB11-P24C
KS DB11-P24C/16
KS DB11-P24C/32
KS DB11-P22B
KS DB11-P22C

KS DB11-07
KS DB11-P07B
KS DB11-P07C
KS DB11-P03B
KS DB11-P03C
KS DB11-P107B
KS DB11-P107C





Thank you for your purchase of **Könnner & Söhnnen®** products. This manual contains a brief description of safety, use and debugging. More information can be found on the official manufacturer's website in the support section: **konner-sohnen.com/manuals**

You can also go to the support section and download the full version of the manual by scanning the QR code, or on the website of the official importer of Könnner & Söhnnen® products: **www.konner-sohnen.com**



We care about the environment, therefore, we consider it expedient to save paper and leave in print a short description of the most important sections.



Be sure to read the full version of the manual before getting started!



Manufacturer reserves the right to make alterations into the generators, which may not be reflected in this manual. Pictures and photos of the product may vary from its actual appearance. At the end of this manual, You may find contact information which you are free to use in case of any issues occurrence.

All data, specified in this operation manual is the most up to date for the moment of its publishing. The current list of service centers you can find at the website of official importer: **www.konner-sohnen.com**



ATTENTION – DANGER!



Failure to follow the recommendations marked with this sign may lead to serious injury or death of the operator or third parties.



IMPORTANT!



Useful information while operating the machine.

SAFETY INFORMATION

1

ELECTRICAL SAFETY

- The product is under voltage. Follow these safety precautions to prevent electric shock. Keep the product away from moisture, as it increases the risk of electrocution.
- Installation, wiring, commissioning, disassembly and maintenance of the product must only be carried out by qualified electrical personnel.
- Never cover the product to prevent the risk of fire.
- Do not mount or operate the product near flammable or explosive substances.
- Use caution when working with a power cord or wire. Replace a damaged or frayed power cord immediately to prevent the risk of electric shock. When disconnecting the power cord from the wall outlet, always pull the plug, not the cord.
- Protect the product from possible mechanical damage and strong shocks.
- Do not operate the product if it shows any defects (faulty circuit breakers, damaged enclosure, etc.).



WARNING!



The total power of all loads connected to the distribution box must not exceed its power rating indicated on the product label.

PROTECTION AGAINST FOREIGN BODIES

Distribution boxes of this series conform to protection class IP54 according to DIN EN 60529, provided that the specified operating position is maintained. More information can be found in the "Installation and Operation" section.

This protection class means that:

- The product is dustproof. Some dust may enter the product, but this does not affect its performance. Complete protection against contact.
- The product is protected from water spray from any direction.

INTENDED USE

A wall-mounted distribution box is a complete low-voltage device intended for connecting various loads with a voltage of 230/400 V and a current of up to 32 A. Refer to the load characteristics to select a suitable wall-mounted distribution box.

The wall-mounted distribution box is designed for professional use. Only qualified and trained personnel should be allowed to mount and permanently connect the unit to the mains.

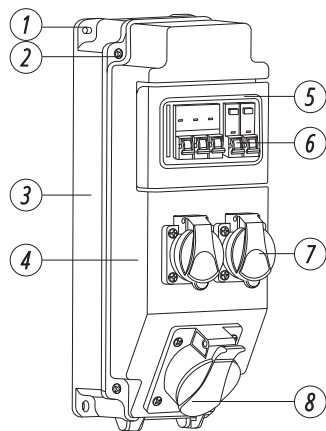
Any improper use (changing the operating position, exceeding the total connected loads, operation with a damaged enclosure or power cord, unauthorized conversions or modifications, changing the internal wiring diagram, installing circuit breakers or sockets with different power ratings and dimensions, etc.) will void the warranty. The manufacturer assumes no liability for any damage resulting from improper use of the product.

Any modifications to the wall-mounted distribution box can endanger the health and life of personnel and damage the product and the loads connected to it.

DESIGN AND CONFIGURATION

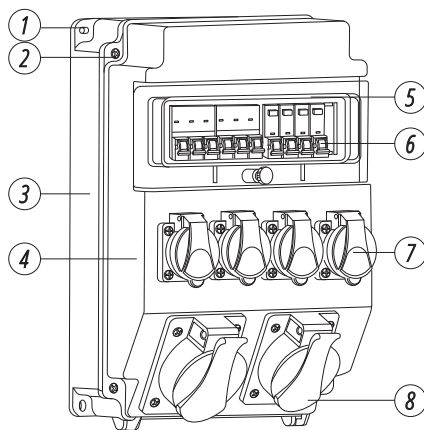
2

MODELS KS DB6-SERIES



1. Holes for wall mounting
2. Fixing screws for the upper part of the enclosure
3. Lower part of the enclosure
4. Upper part of the enclosure

MODELS KS DB11-SERIES



5. Transparent cover with screw lock
6. Circuit breakers of socket groups
7. 250 V Schuko sockets
8. CEE sockets



IMPORTANT!



Manufacturer reserves the right to make changes and/or improvements in design, components set and technical attributes without notice and without incurring obligation. The pictures in this manual are schematic and may not match the parameters of original product.

Type	KS DB6	KS DB6-P03B KS DB6-P03C	KS DB6-P12C	KS DB11	KS DB11-P24B KS DB11-P24C	KS DB11-P24C/16
Rated current, A	32	32	32	32	32	32
Rated operating voltage, V	230~/400~	230~/400~	400~	400~	400~	400~
Rated frequency, Hz	50/60	50/60	50/60	50/60	50/60	50/60
Capacity, kW	14	14	22	22	22	22
Earthing system type	TN-C-S					
Socket type	2xSchuko 230V 16A 1xCEE 230V 32A 5P			4xSchuko 230V 16A 1xCEE 400V 32A 5P 1xCEE 400V 16A 5P		4xSchuko 230V 16A 1xCEE 400V 16A 5P
Terminal block	400V 32A, 5x6 mm ² M32					400B 32A 5P CEE injet
Circuit protection	-	1x32 A 1P(C) 2x16 A 1P(B or C)	1x32 A 3P(C) 2x16 A 1P(B or C)	-	1x16 A 3P(C) 1x32 A 3P(C) 4x16 A 1P(B or C)	1x16 A 3P(C) 1x32 A 3P(C) 4x16 A 1P(B or C)
Operating temperature	-25 °C to +40 °C					
Impact resistance of enclosure	IK10					
Enclosure material	ABS					
Dimensions (LxWxH), mm	135x140x355	135x140x355	135x140x355	245x155x355	245x155x355	245x155x355
Net weight, kg	≤ 1.6	≤ 1.8	≤ 2.0	≤ 2.5	≤ 3.4	≤ 3.5
Protection class	IP54					

Type	KS DB11-P24C/32	KS DB11-P22B KS DB11-P22C	KS DB11-07	KS DB11-P07B KS DB11-P07C	KS DB11-P03B KS DB11-P03C	KS DB11-P107B KS DB11-P107C
Rated current, A	32	32	32	32	16	32
Rated operating voltage, V	400~	400~	230~/400~	230~/400~	230~/400~	400~
Rated frequency, Hz	50/60	50/60	50/60	50/60	50/60	50/60
Capacity, kW	22	22	22	22	11	22
Earthing system type	TN-C-S					
Socket type	4xSchuko 230V 16A 1xCEE 400V 32A 5P	4xSchuko 230V 16A 1xCEE 400V 32A 5P 1xCEE 400V 16A 5P	7xSchuko 230V 16A			
Terminal block	400V 32A 5P CEE injet	400V 32A 5x6 mm ² M32				
Circuit protection	2x32 A 3P(C) 4x16 A 1P(B or C)	1x16 A 3P(C) 1x32 A 3P(C) 2x16 A 1P(B or C)	-	7x16 A 1P(B or C)	3x16 A 1P(B or C)	7x16 A 1P(B or C) 1xRCD 40A 4P 30mA Type A
Operating temperature	-25 °C to +40 °C					
Impact resistance of enclosure	IK10					
Enclosure material	ABS					
Dimensions (LxWxH), mm	245x155x355	245x155x355	245x155x355	245x155x355	245x155x355	245x155x355
Net weight, kg	≤ 3.6	≤ 3.2	≤ 2.2	≤ 2.8	≤ 2.5	≤ 3.2
Protection class	IP54					

We strongly recommend that you read the instructions below. Equipment connection must always be carried out by a certified electrician responsible for the installation and electrical connection of the equipment according to local laws and regulations. The manufacturer assumes no liability for improper connection of

the equipment or for any material or physical damage that may result from improper installation, connection or operation of the equipment.



WARNING!



Always check the cross-section of the power cable supplying the wall-mounted distribution box.



WARNING!



Always check the cross-section of the power cable supplying the wall-mounted distribution box.

If the cross-section of the power cable is insufficient, there is a risk of fire or overloading, which can lead to injury and damage to property. Choose the cross-section of the power cable based on the cable type and ratings indicated on the nameplate of the wall-mounted distribution box. The wall-mounted distribution box must be connected to the supply mains of the electricity provider according to the standards and regulations in force in your country.

The product is mounted vertically on the wall.

INSTALLATION

Fasten the wall-mounted distribution box vertically to the wall using screws and wall plugs (not included).

Unless otherwise specified in the standards and regulations in force in your country, the mounting height should be the viewing height of the controls and switches.

Use the holes in the enclosure as shown in the Fig. 1 below to mount the unit on the wall (see. annex).

Where protection class 2 is required, the fastening screws must be provided with plastic covers or caps (not included).

OPERATION

1. To connect the load, lift the hinged cover of the socket outlet and, holding the plug of the load cable, insert it as far as it will go into the socket. When doing so, ensure that the load is powered off.
2. Switch on the circuit breaker that powers this socket.
3. Power on the load.

To disconnect the load, proceed in reverse order.



ATTENTION – DANGER!



To disconnect the consumer from the wall distribution box, it is forbidden to pull the cable. You need to lift the cover of the outlet, grab the plug and pull it out of the outlet.

Do not run over the cable, bend it, or expose it to heat sources, as this can lead to cable failure, fire, personal injury or damage to property.

MAINTENANCE

5



WARNING!



Any maintenance works on the wall-mounted Distribution box should only be carried out after the power cable has been unplugged from the mains

Maintenance involves a number of specific steps that will increase the lifespan of the product and ensure trouble-free operation and extended service life.

CHECKING THE PRODUCT FOR DAMAGE

1. Visually inspect the product for external damage (cracks on the enclosure, sockets, etc.).
2. Check the hinged covers of the circuit breakers and sockets.
3. Check that all the circuit breakers are in place according to the instructions.

If you find any damage or missing parts, immediately contact the person in charge and discontinue the use of the product.

All repairs to the wall-mounted Distribution box must be performed only by qualified personnel.

If the distribution box circuitry contains any residual-current devices (RCD), they must be tested regularly to ensure their proper functioning. The test should involve turning the RCD on and pressing the test button, after which it should activate and turn off.

CLEANING

The product can be cleaned dry or wet, depending on the operating conditions and the degree of soiling.



Any cleaning work on the wall-mounted Distribution box should only be carried out after the power cable and load cables have been unplugged from the mains. Risk of injury or death.

The product should only be cleaned from the outside, the Distribution box should not be tampered with, and the socket covers should be kept closed. Never use steam cleaners or high-pressure washers to clean the product. Do not use aggressive cleaning agents or excessive amounts of water.

DRY CLEANING

Use a brush with a non-conductive handle and a dry cloth to clean the product.

1. Use the brush to remove dust and dirt.
2. Wipe the product with a dry, clean cloth.

WET CLEANING

Use only clean water for wet cleaning.

1. Use the brush to remove dust and dirt.
2. Wipe the product with a clean cloth lightly dampened with water.

DISPOSAL

The wall-mounted distribution box must be recycled or disposed of according to the standards and regulations in force in your country.

The product must not be disposed of with household waste.

Proper waste management prevents harm to the environment or human health.

WIRING DIAGRAMS

6

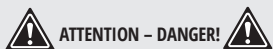


This unit must be equipped with a suitable protective device at the point of connection of the power cable to the mains.

| *Wiring diagrams for distribution box See in Figure 2 in the Annex.*

TROUBLESHOOTING

7



The product contains live apparatus that are hazardous to life. Risk of injury or death. All repairs must be carried out by qualified personnel only.



ATTENTION – DANGER!

Do not use the wall-mounted distribution box if it shows any defects. If the circuit breaker in the distribution box has tripped, switch off and disconnect the respective load. Attempting to switch on a tripped protective device again without disconnecting the load may cause injury or damage to property.

If there is no voltage supply to one of the loads, proceed as follows:

1. Disconnect the load by pulling the respective plug out of the socket.
2. If the load has an automatic circuit breaker, check whether the circuit breaker has tripped. If it has tripped (disconnected), immediately consult the person in charge for clarification and further action.
3. If the load is in good repair, visually inspect the power cable and the connection points for mechanical damage or other faults. If you find any damage or faults, report them immediately to the person in charge.
4. If the load and the power cable are in good condition, check the circuit breaker in the wall-mounted distribution box. If a circuit breaker or residual-current device (RCD) that supplies the outlet into which the load has been plugged has tripped, switch on the device (before doing so, ensure the load is unplugged from the socket). If the device trips (goes off) again, immediately notify the person in charge and stop using the device. The warranty claims or warranty repair of the product then become effective. Do not switch the protective device on again if it (or other devices nearby or distribution box enclosure) has any visible signs of burning, smoke, blackening, melting of the casing and other signs of damage to the device or distribution box.

WARRANTY SERVICE TERMS

8

The international manufacturer warranty is 1 year. The warranty period starts from the date of purchase. In cases when warranty period is longer than 1 year according to local legislation please contact your local dealer. The Seller which sells the product is responsible for granting the warranty. Please contact the Seller for warranty. Within the warranty period, if the product fails because of defects in the production process, it will be exchanged on the same product or repaired.

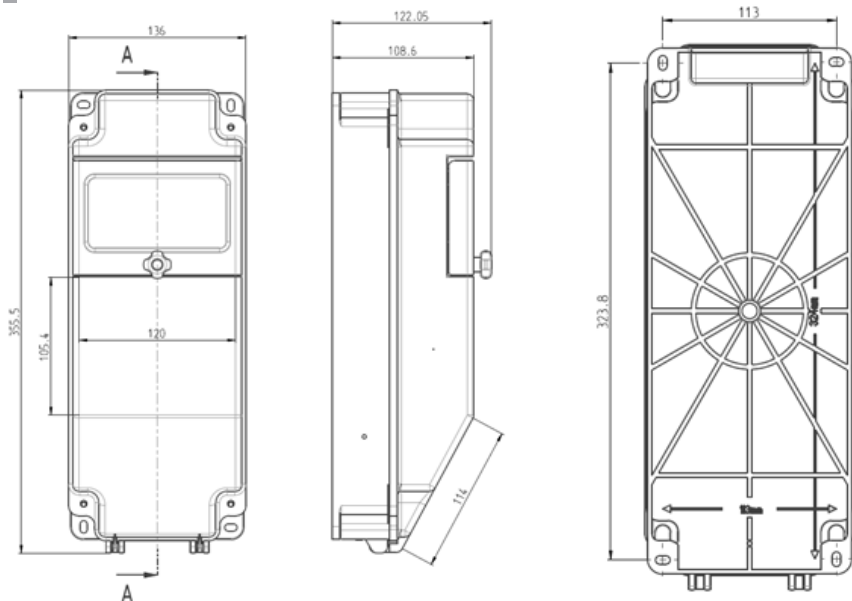
All faults caused by the manufacturer during the warranty period will be eliminated free of charge. Warranty repair is carried out only if you have a fully completed warranty card, the Buyer's signature of acceptance of the warranty terms, as well as a document supporting the purchase (cash receipt, sales slip or invoice). In the absence thereof, as well as in the event of errors or corrections not authenticated by the seller's seal or illegible inscriptions in the warranty card or tear-off coupon, no warranty repair is carried out, no objections to quality are accepted and the warranty card is withdrawn by the service center as invalid. The device is accepted for repair clean and full.



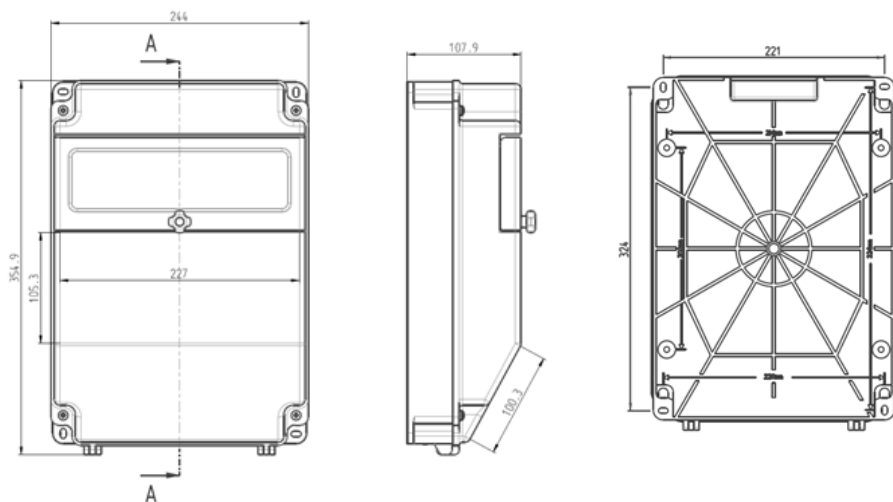
OVERALL DIMENSIONS AND INSTALLATION DIAGRAM OF DISTRIBUTIONBOXES

KS DB6

Fig. 1



KS DB11



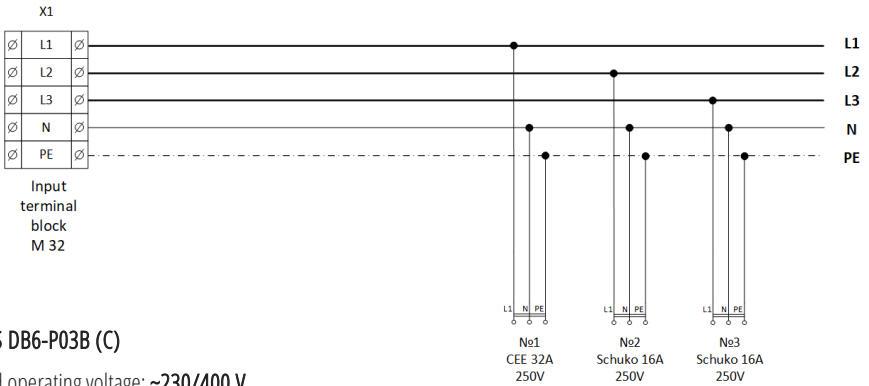


KS DB6

Rated operating voltage: ~230/400 V

Capacity: 14 kW

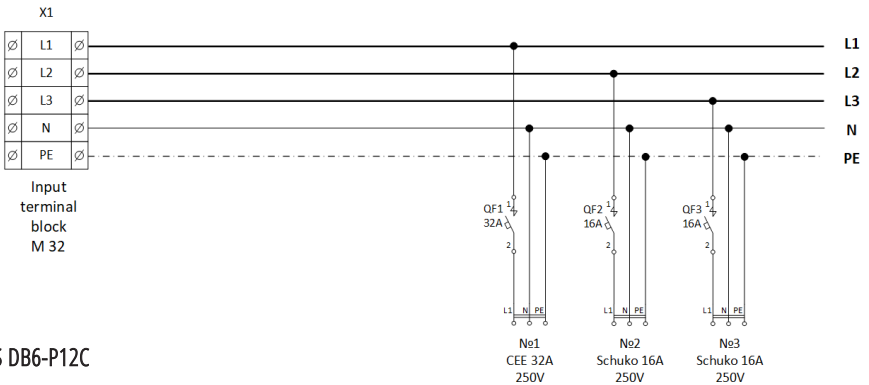
Fig. 2



KS DB6-P03B (C)

Rated operating voltage: ~230/400 V

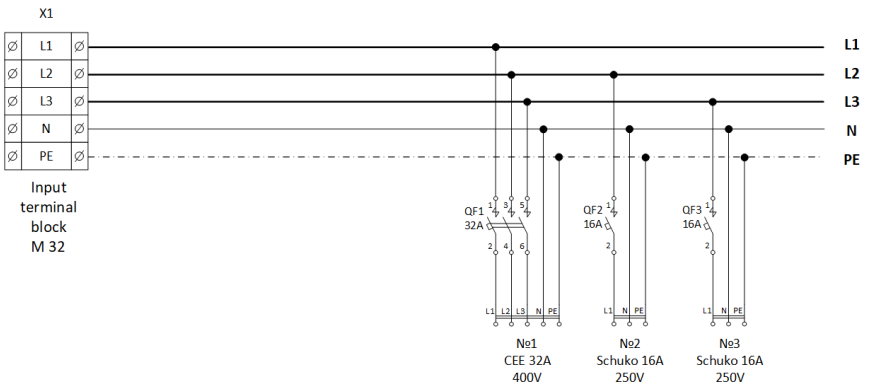
Capacity: 14 kW



KS DB6-P12C

Rated operating voltage: ~400 V

Capacity: 22 kW

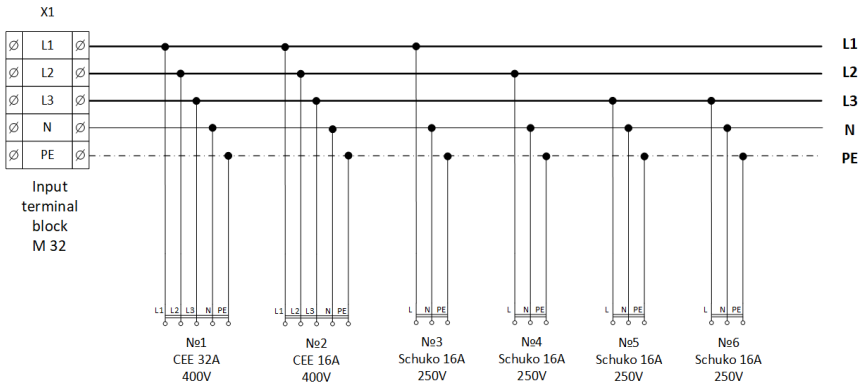




KS DB11

Rated operating voltage: ~400 V

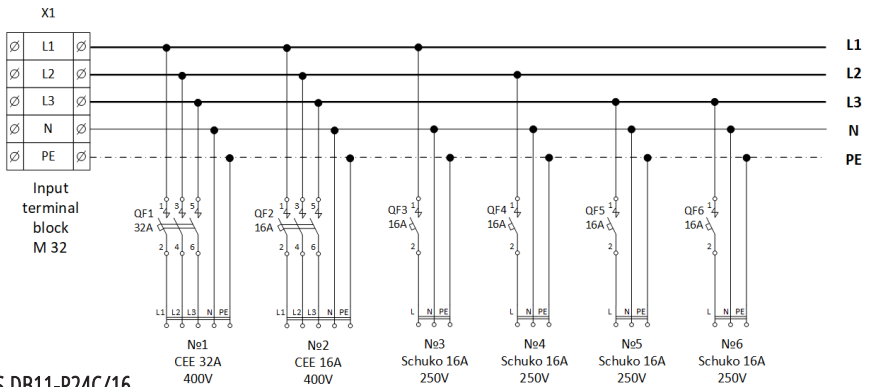
Capacity: 22 kW



KS DB11-P24B(C)

Rated operating voltage: ~400 V

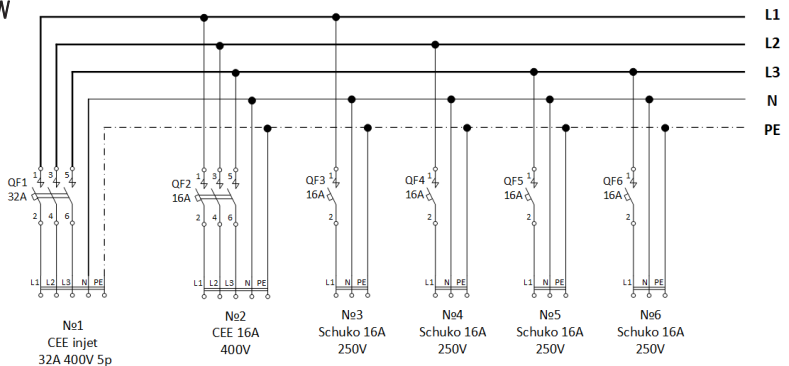
Capacity: 22 kW



KS DB11-P24C/16

Rated operating voltage: ~400 V

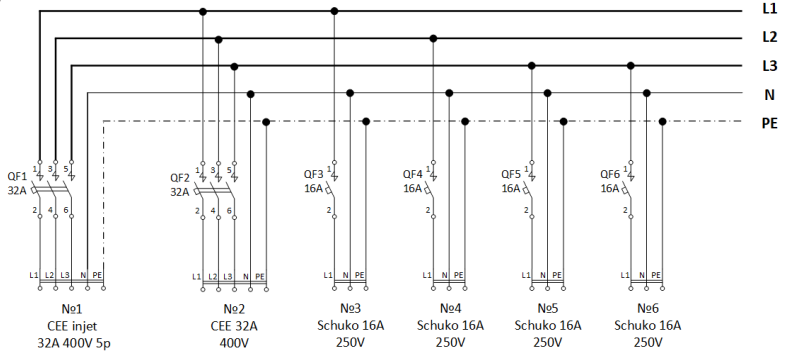
Capacity: 22 kW





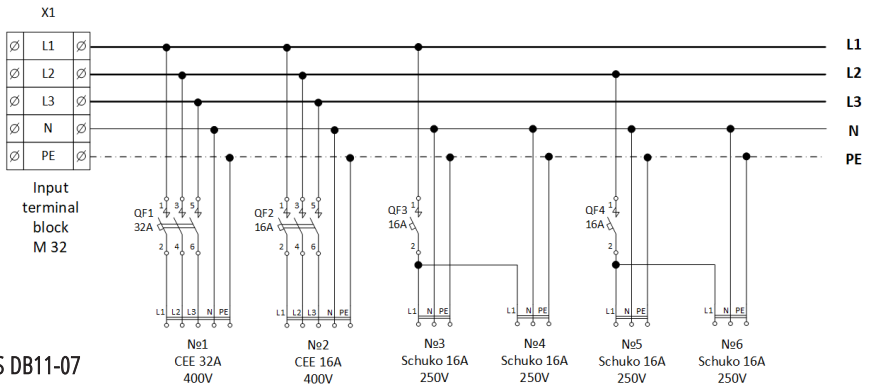
KS DB11-P24C/32

Rated operating voltage: ~400 V
Capacity: 22 kW



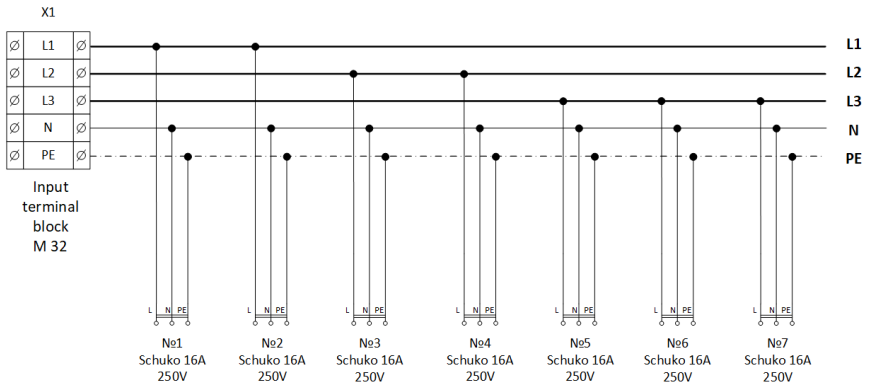
KS DB11-P22B (C)

Rated operating voltage: ~400 V
Capacity: 22 kW



KS DB11-07

Rated operating voltage: ~400 V
Capacity: 22 kW

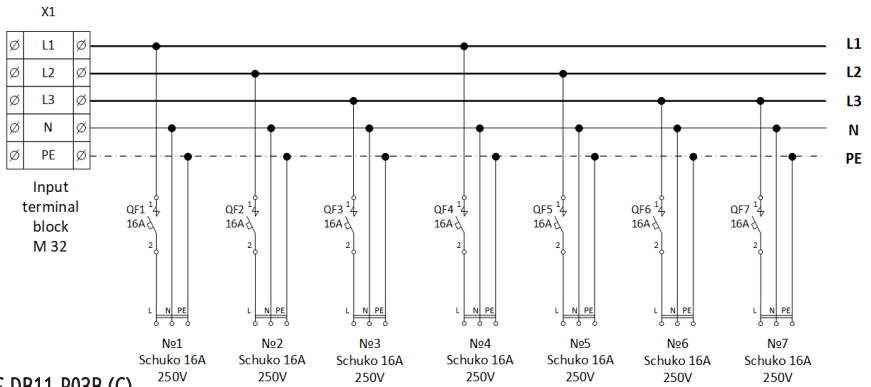




KS DB11-P07B (C)

Rated operating voltage: ~400 V

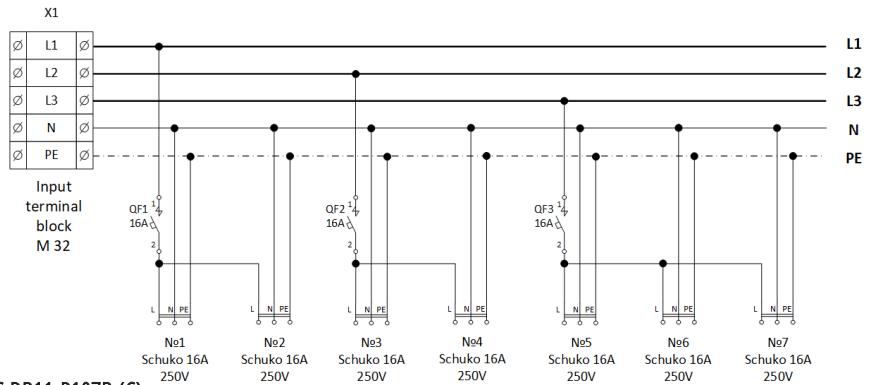
Capacity: 22 kW



KS DB11-P03B (C)

Rated operating voltage: ~230/400 V

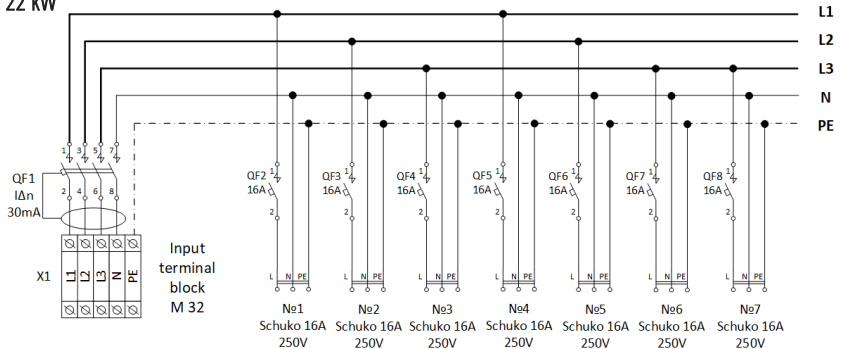
Capacity: 11 kW



KS DB11-P107B (C)

Rated operating voltage: ~400 V

Capacity: 22 kW





EC Declaration of Conformity

Nr. 147

The following products have been tested by us with the listed standards and found in compliance with the European Community Electromagnetic compatibility Directive (EMC) 2014/30/EC, Low Voltage Directive 2014/35/EC.

Manufacturer: DIMAX INTERNATIONAL GmbH
Address: Flinger Broich 203, 40235 Duesseldorf, Germany
Product: Distribution box "Können & Söhnen"
Type / Model: KS DB6, KS DB6-P03B, KS DB6-P03C, KS DB6-P12C, KS DB11, KS DB11-P24B, KS DB11-P24C, KS DB11-P24C/16, KS DB11-P24C/32, KS DB11-P22B, KS DB11-P22C, KS DB11-07, KS DB11-P07B, KS DB11-P07C, KS DB11-P03B, KS DB11-P03C, KS DB11-P107B, KS DB11-P107C.

The statement is based on a single evaluation of above mentioned products. It does not imply an assessment of the whole production and does not permit the use of the test lab. logo. The manufacturer should ensure that all product in series production are in conformity with the product sample detailed in this report. The applicant should hold the whole technical report at disposal of the competent all the right.

Applied EC Directives: 2014/30/EU Electromagnetic compatibility Directive (EMC)
2014/35/ EU Low Voltage

Applied Standards: EN 60529:1991/A2:2013/AC:2019-02
EN 61439-1:2011
EN 61439-3:2012/AC:2019-04



23

Issued Date: 2023-05-07
Place of issue: Duesseldorf
General director: Fomin P.

P. Fomin

DIMAX
International
GmbH
Steuer-Nr: 103 5722 2493
USt-Id-Nr: DE296177274

We DIMAX INTERNATIONAL GmbH hereby declare that specified above conforms covering European Parliament and Council Directives, Electromagnetic compatibility Directive (EMC) 2014/30/EC of 26 February 2014, 2014/35/EC and Low Voltage Directive 2014/30/EC of 26 February 2014. The CE mark above can be used under the responsibility of manufacturer. After completion of an EC declaration of Conformity and compliance with all relevant EC directives.

CONTACTS

Deutschland:

DIMAX International GmbH
Flinger Broich 203 -FortunaPark-
40235 Düsseldorf, Deutschland
www.koenner-soehnen.com

Ihre Bestellungen

orders@dimaxgroup.de

Kundendienst, technische Fragen und Unterstützung

support@dimaxgroup.de

Garantie, Reparatur und Service

service@dimaxgroup.de

Sonstiges

info@dimaxgroup.de

Polska:

DIMAX International
Poland Sp.z o.o.

Polska, Warczawska,
306B 05-082 Stare Babice,
info.pl@dimaxgroup.de

Україна:

ТОВ «Техно Трейд КС»,
вул. Електротехнічна 47, 02222,
м. Київ, Україна

sales@ks-power.com.ua
