

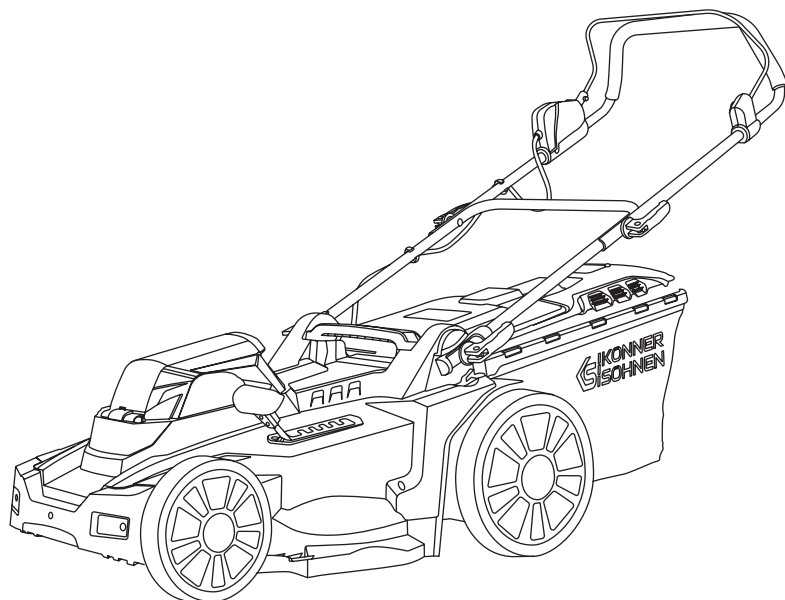
**Please, read this manual
carefully before use!**

Owner's Manual



Cordless lawn mower

KS 33LM-20V
KS 43LM-40V





Thank you for opting for **Könnner & Söhnen®** products. This manual contains a brief description of safety, setup and use. More information can be found on the official importer's website in the support section: **konner-sohnen.com/manuals**

You can also go to the support section and download the manual by scanning the QR code or on the website of the official importer of **Könnner & Söhnen®** at **www.konner-sohnen.com**



*Please, read this manual
carefully before use!*

The manufacturer of **Könnner & Söhnen®** products reserves the right to make changes that may not be reflected in this manual, namely:

- The manufacturer reserves the right to make changes in the product design, configuration and construction.
- The images and drawings in this manual are for reference only and may differ from the actual components and inscriptions on the products.

Contact information that you are free to use in case of any problems can be found at the end of this manual. All information in this manual is correct to the best of our knowledge and belief at the date of its publication. The current list of service centers can be found on the official importer's website at **www.konner-sohnen.com**



ATTENTION – DANGER!



Failure to follow the recommendations marked with this sign may lead to serious injury or death of the operator or third parties.



IMPORTANT!



Useful information while operating the machine.

IMPORTANT SAFETY INFORMATION

1



ATTENTION – DANGER!



Packaging materials are not toys! Children must not play with plastic bags! Danger of suffocation!



IMPORTANT!



Read carefully before use. Retain for subsequent reference.

- Never pick up or carry the machine while the motor is running.
- Do not modify this product. Unauthorized modifications may impair the safety of your product and may result in increased noise and vibration.

REMOVE THE KEY:

- whenever you leave the machine,
- before clearing a blockage,
- before checking, cleaning or working on the machine,
- after striking a foreign object. Inspect the machine for damage and make repairs as necessary,
- if the machine starts to vibrate abnormally (check immediately).

WORK AREA

- Keep the work area clean and well lit. Cluttered and dark areas invite accidents.
- Do not operate power tools in explosive atmospheres, such as in the presence of flammable liquids, gases or dust. Power tools create sparks, which may ignite the dust or fumes.
- Keep children and bystanders away while operating a power tool. Distractions can cause you to lose control.

PERSONAL SAFETY

- Stay alert. Watch what you are doing and use common sense when operating a power tool. Do not operate tool when you are tired or under the influence of drugs, alcohol or medication. A moment of inattention while operating power tools may result in serious personal injury.
- Use safety equipment. Always wear eye protection. Safety equipment such as dust mask, non-skid safety shoes, hard hat, or hearing protection used for appropriate conditions will reduce personal injuries.
- Avoid accidental starting. Ensure the switch is in the off position before plugging in. Carrying power tools with your finger on the switch or plugging in power tools that have the switch on invites accidents.
- Remove any adjusting key or wrench before turning the power tool on. A wrench or a key left attached to a rotating part of the power tool may result in personal injury.
- Do not overreach. Keep proper footing and balance at all times. This enables better control of the power tool in unexpected situations.
- Dress properly. Do not wear loose clothing or jewellery; Keep your hair, clothing and gloves away from moving parts. Loose clothes, jewellery or long hair can be caught in moving parts.

POWER TOOL USE AND CARE

- Store idle power tools out of the reach of children and do not allow persons unfamiliar with the power tool or these instructions to operate the power tool. Power tools are dangerous in the hands of untrained users.
- Maintain power tools. Check for misalignment or binding of moving parts, breakage of parts and any other condition that may affect the power tools operation. If damaged, have the power tool repaired before use. Many accidents are caused by poorly maintained power tools.
- Keep cutting tools sharp and clean. Properly maintained cutting tools with sharp cutting edges are less likely to bind and are easier to control.

ADDITIONAL SAFETY RULES FOR LAWN MOWER**2****WARNING!****Read the instructions carefully. Be familiar with the controls and the proper use of the appliance.**


- Never allow children to use the appliance.
- Never allow people unfamiliar with these instructions to use the appliance. Local regulations may restrict the age of the operator.
- Keep bystanding people, children and animals out of the work area.
- The operator or user is responsible for accidents or hazards occurring to other people or their property.
- While operating the appliance, always wear substantial footwear and long trousers. Do not operate the appliance when barefoot or wearing open sandals.
- Thoroughly inspect the area where the appliance is to be used and remove all stones, sticks, wires, bones, and other foreign objects.
- Before using, always visually inspect to see that the rotating parts and cutter assembly are not worn or damaged. Replace worn or damaged parts in sets to preserve balance.
- Operate the appliance only in daylight or in good artificial light. Avoid operating the appliance in wet grass, where feasible. Always be sure of your balance on slopes. Walk, never run. Always work across the face of slopes, never up and down.

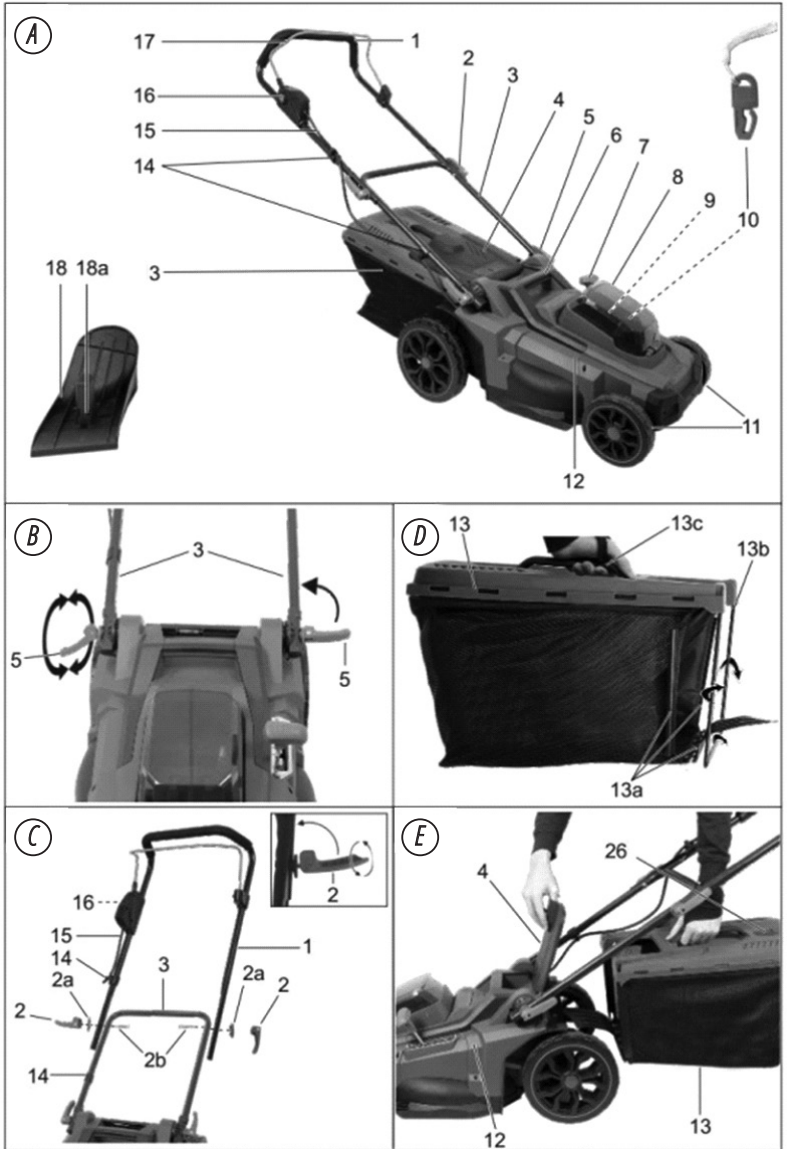
- Exercise extreme caution when reversing or pulling the appliance towards to you.
- Do not operate the appliance on excessively steep slopes.
- Switch the lawn mower off if appliance has to be tilted for transportation and when crossing surfaces other than grass, and when transporting the appliance to and from the working area.
- Never operate the appliance with defective guards or shields, or without safety devices, for example deflectors and/or catchers in place.
- Switch on the motor according to instructions and with feet well away from rotating parts.
- Do not tilt appliance when switching on the motor, expect if the appliance has to be tilted for starting. In this case, do not tilt it more than absolutely necessary and lift only the part, which is away from the operator. Always ensure that both hands are in the operating position before returning the appliance to the ground. Do not put hands or feet near or under rotating parts.
- Never pick up or carry an appliance while the motor is running.

SYMBOLS

3

The rating plate on your tool may show symbols. These represent important information about the product or instructions on its use.

	Waste electrical products should not be disposed of with household waste. Please recycle where facilities exist. Check with your Local Authority or retailer for recycling advice.
	Denotes risk of personal injury, loss of life, or damage to the tool in case of non-observance.
	Wear sturdy, non-slip footwear.
	Read the user manual.
	Use protective gloves.
	Do not expose to rain.
	Keep children at a distance of no less than 10m from the work area.
	Beware of objects being thrown up keep a safe distance and keep other people away.



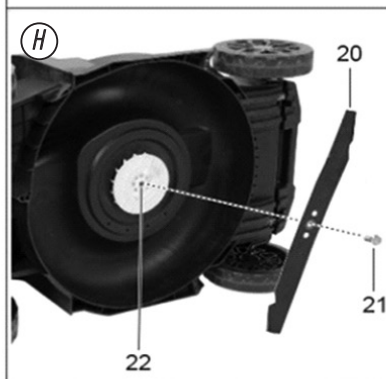
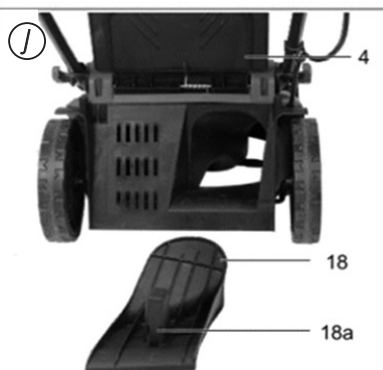
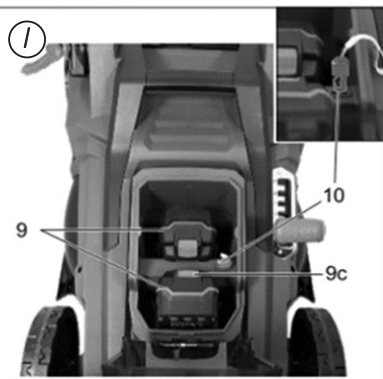
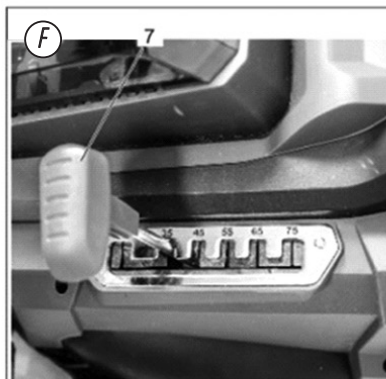
- Delivered without battery and without charger. Follow the battery safety recommendations provided by the manufacturer (usage, charging process, storage and utilization details)



IMPORTANT!



Manufacturer reserves the right to make changes and/or improvements in design, components set and technical attributes without notice and without incurring obligation. The pictures in this manual are schematical and may not match the parameters of original product.



1. Upper bar
2. Tightening levers for fastening the upper bar
3. Lower bar
4. Impact protection
5. Tightening levers for fastening the lower bar
6. Carrying handle
7. Lever for cutting height adjustment
8. Cover
10. Safety key
11. Wheels
12. Appliance housing
13. Grass collection box

- 13a. Plastic tabs
- 13b. Grass collection box rods
- 13c. Handle for grass collection box
14. Cable holder
15. Machine cable
16. Release button
17. Start handle
18. Mulch kit
- 18a. Bracket on mulch kit
20. Blade
21. Blade bolt
22. Motor spindle



Battery and charger (not included in a set)

SPECIFICATIONS

5

Model	KS 33LM-20V	KS 43LM-40V
Rated voltage	20V	40V (20V+20V)
No-load speed	3200 rpm	3300 rpm
Motor type	brushless motor	brushless motor
Cutting capacity	330 mm	430 mm
Adjustable height position	25-75 (5 positions)	25-75 (6 positions)
Collection bag	30 l	50 l
Mulching function	+	+
Noise level (Lwa)	96 dB	96 dB
Battery and charger	not included in a set	not included in a set
Gross dimensions (L×W×H)	690×410×330 mm	804×484×400 mm
Gross/Net weight	11.2/9.5 kg	15.0/12.5 kg

ASSEMBLY

6

MOUNTING THE LOWER BAR (B)

1. Fold the lower bar (3) upwards.
2. Turn the lower tightening levers (5) clockwise to fasten.
3. Lock the tightening levers (5) by pressing them in the direction of the lower bar (3). The tightening levers must be pulled tight and then positioned against the bar so that tightening can be carried out with medium force. If this fails, continue to turn the tightening lever clockwise, or loosen it by turning counter clockwise.

MOUNTING THE UPPER BAR (C)

1. Fasten the upper bar (1) with the enclosed screws (2b), the washers (2a) and the upper tightening levers (2) on the right and left of the lower bar (3).
The release button (16) must be located on the right in the mowing direction. Two positions are possible.
2. Turn the tightening levers (2) clockwise to fasten.
3. Lock the tightening levers (2) by pressing them in the direction of the bar (3).
The tightening levers must rest against the bar in such a way that tightening can be carried out with medium force. If this fails, continue to turn the tightening lever clockwise, or loosen it by turning counter clockwise.



WARNING!



Release the tightening levers (2+5) and fold the upper bar (1) and the lower bar (3) together so that the device takes up less space. Make sure not to pinch the machine cables while doing this.

MOUNTING THE (D)

1. Clip the handle (13c) of the grass collection box (13) into the upper side of the grass collection box (13).
2. Place the plastic tabs (13a) of the grass collection box (13) over the grass collection box rods (13b).

ATTACHING THE MULCH KIT (J)

1. Remove the grass collection box, if used.
2. Lift the impact protection.
3. Slide the mulch kit (18) into place. The bracket (18a) snaps into place.

REMOVING THE MULCH KIT

4. Push in the bracket (18a) on the mulch kit and remove the mulch kit (18).

OPERATION**7****ATTENTION – DANGER!**

The device must only be adjusted when the motor is switched off and the blade is stationary. There is a risk of personal injury.



Switch off the apparatus, remove the ignition key (10) and wait for the blades to come to a standstill.

MOUNTING/REMOVING THE GRASS COLLECTION BOX (E)

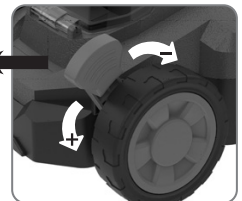
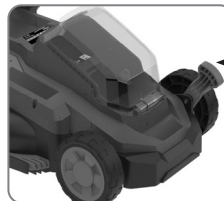
1. To mount the grass collection box (13), lift the impact protection (4) and suspend the grass collection box (13) from both receptors.
 2. Fold the impact protection (4) over the grass collection box (13). This will hold the grass collection box in the correct position.
 3. To remove the grass collection box (13), lift the impact protection (4) and remove the grass collection box (13).
- Fold the impact protection (4) back over the device housing (12).

**ATTENTION – DANGER!**

Work may not be carried out using the device without the impact protection or grass collection box. There is a risk of injury.

SETTING THE CUTTING HEIGHT (F) FOR MODEL KS 33LM-20V

For model KS 33LM-20V, select the cutting height using the lever (7), by pushing the lever forward (in the direction of the arrow) you can increase the height of grass cutting, by pushing the lever back - you can reduce it.

**SETTING THE CUTTING HEIGHT (F) FOR MODEL KS 43LM-40V**

The apparatus has 6 positions for adjusting the cutting height:

1. Hold the carrying handle (6) and lift the device or push the device down.
2. Grip the lever (7) for adjusting the cutting height and move it past the ratchet mechanism to the desired cutting height.





WARNING!



A high cutting height should be selected for the first mowing of the season.

INSERTING/REMOVING THE RECHARGEABLE BATTERY (I)



Switch off the apparatus, remove the safety key (10) and wait for the blades to come to a standstill.

SWITCHING ON AND OFF

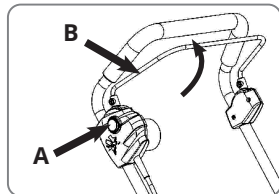
1. Place the apparatus on a level surface.
2. Lift the cover (8) on the device housing and insert the charged batteries (9) along the guides into the device. You will hear them click into place.
3. Insert the safety key (10) in the corresponding opening next to the rechargeable battery (9).

The safety key can only be inserted in one position. Take note of the guide groove on the opening next to the battery and on the safety key (10)

4. Before switching the apparatus on, make sure that it is not touching any objects.
5. To switch the apparatus on, press the release button (16) and hold it down while pressing the starting lever (17).

Let go of the release button.

6. To switch the apparatus off, let go of the starting lever (17).



ATTENTION - DANGER!



After switching off the equipment, the blade continues to turn for several seconds. Do not touch the moving blade. There is a risk of injury.

CLEANING/MAINTENANCE

8



WARNING!



Have any work that is not described in these operating instructions performed by an authorised customer service centre. Only use original parts.



Wear gloves when handling the blade.



Switch off the apparatus, remove the safety key (10) and wait for the blades to come to a standstill.

GENERAL CLEANING AND MAINTENANCE WORK



ATTENTION - DANGER!



Never spray down the device with water. There is a risk of electric shock.

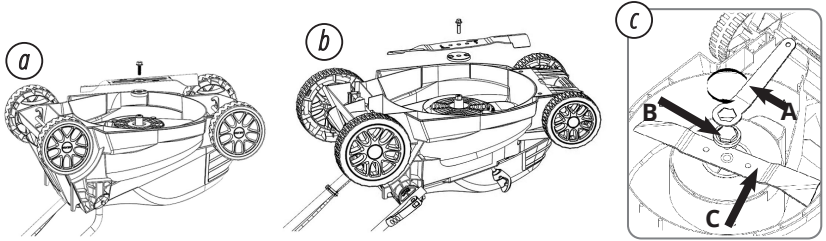
REPLACING BLADES

If the blade is blunt, it can be re-sharpened by a specialist company. If the blade is damaged or unbalanced, it must be replaced.

1. Turn the machine over.
2. Use firm gloves and keep hold of the blade (20). Use a spanner to turn the blade bolt (21) counter-clockwise from the motor spindle (22).
3. Reassemble the new blade (20) in reverse order. Make sure that the blade (20) is positioned correctly and that the blade bolt (21) is tightened.

BLADE MAINTENANCE

- Regularly remove grass and dirt from the blade.
- At the beginning of the gardening season, carefully examine the condition of the blade.
- If the blade is very blunt, sharpen or replace the blade.
- If the blade is damaged or worn, fit a new blade



1. Keep all nuts, bolts and screws tight to be sure the lawn mower is in a safe working condition.
2. Check the catcher frequently for wear or deterioration.
3. Replace worn or damaged parts for safety.
4. Only use the replacement blade, blade bolt and impeller specified for this product.
5. Be careful during adjustments of the lawn mower to prevent entrapment of the fingers between moving blade and fixed parts of the machine.
6. Oil the wheel pins.
7. Store the lawn mower in a dry place.

WARRANTY SERVICE TERMS

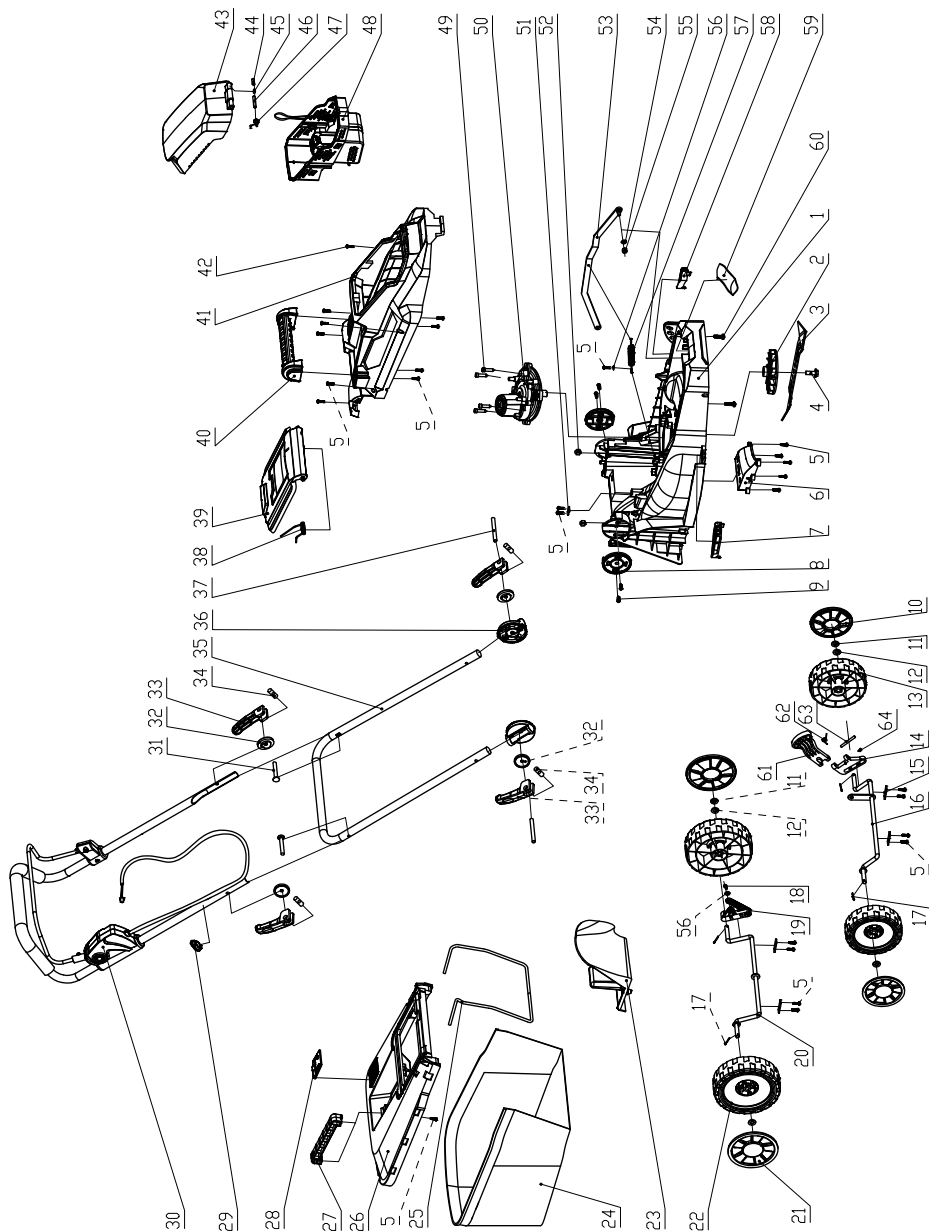
9

The international manufacturer warranty is 1 year. The warranty period starts from the date of purchase. In cases when warranty period is longer than 1 year according to local legislation please contact your local dealer. The Seller which sells the product is responsible for granting the warranty. Please contact the Seller for warranty. Within the warranty period, if the product fails because of defects in the production process, it will be exchanged on the same product or repaired.

All faults caused by the manufacturer during the warranty period will be eliminated free of charge. Warranty repair is carried out only if you have a fully completed warranty card, the Buyer's signature of acceptance of the warranty terms, as well as a document supporting the purchase (cash receipt, sales slip or invoice). In the absence thereof, as well as in the event of errors or corrections not authenticated by the seller's seal or illegible inscriptions in the warranty card or tear-off coupon, no warranty repair is carried out, no objections to quality are accepted and the warranty card is withdrawn by the service center as invalid. The device is accepted for repair clean and full.

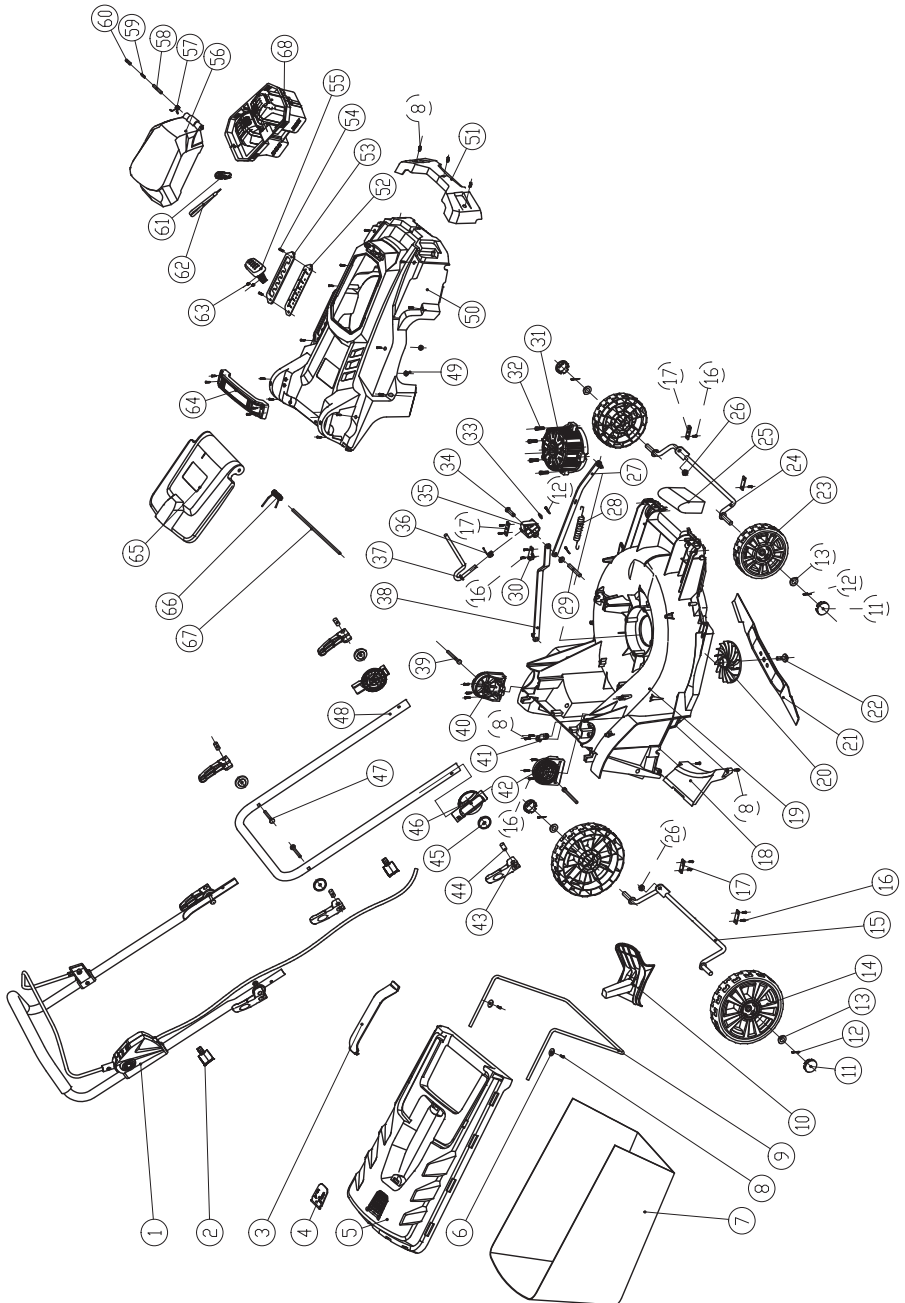
Problem	Possible Cause	Corrective Action
The machine does not work	Possible clogging	Check underneath the machine and clear out as necessary (always wear gardening gloves)
	Battery not fully charged	Battery charging
	Battery not inserted (properly)	Inserting the battery
	Grass too long	Increase height of cut and tilt machine to reduce starting load
	Isolator damage	Contact service agent
	Motor protector has activated	Allow motor to cool /increase height of cut
	Battery too hot/cold	Allow to cool/warm
	Safety key not inserted correctly/fully	Fit correctly
	There is a short delay in the motor starting after engaging the switch lever	Hand switch lever for 1–3 s to start motor
Machine start, immediately stop	Battery not fully charged	Battery charging
	Safety key not inserted correctly/fully	Fit correctly
	Battery not inserted (properly)	Inserting the battery
	Battery too hot/cold	Allow to cool/ Increase height of cut
Machine functions intermittently	Internal wiring of machine damaged	Contact service agent
	Motor protector has activated	Allow motor to cool /increase height of cut
Machine leaves ragged finish and/Motor labor	Height of cut too low	Increase height of cut(see “Adjusting the Cutting Height”)
	Cutting blade dull	Replacing the blade(see “Blade Maintenance”)
	Possible clogging	Check underneath the machine and clear out as necessary (always wear gardening gloves)
	Blade fitted upside down	Refit blade correctly(see “Blade Maintenance”)
Cutting blade not rotating while machine switched on	Cutting blade obstructed	Switch off machine Clear obstruction (always wear gardening gloves)
	Blade nut/bolt loose	Tighten blade nut/bolts
Excessive vibrations/noise	Blade nut/bolt loose	Tighten blade nut/bolts
	Cutting blade damaged	Contact service agent. Replacing the blade
No charging procedure possible	Battery contacts contaminated	Clean the battery contacts (e.g. by inserting and removing the battery several times) or replace the battery (batteries can be purchased to service agents)
	The battery is defective, due to a disconnection in the battery	Replace the battery (batteries can be purchased to service agents)
The charge control LED respectively, do not light up after inserting the mains plug into the socket	Mains plug of battery charger not plugged in (properly)	Insert mains plug (fully) into the socket outlet
	Socket outlet, mains cable or battery charger defective	battery charger, an authorized inspection station contact customer service

MODEL KS 33LM-20V





MODEL KS 43LM-40V





EC Declaration of Conformity

Nr. 175

The following products have been tested by us with the listed standards and found in compliance with the European Community Directive 2014/30/EU relating to electromagnetic compatibility, Directive 2006/42/EC relating to machinery.

Manufacturer: DIMAX INTERNATIONAL GmbH
Address: Flinger Broich 203, 40235 Duesseldorf, Germany
Product: Cordless Lawn Mower "Könner & Söhnen"
Type / Model: KS 33LM-20V, KS 43LM-40V

The statement is based on a single evaluation of above mentioned products. It does not imply an assessment of the whole production and does not permit the use of the test lab. logo. The manufacturer should ensure that all product in series production are in conformity with the product sample detailed in this report. The applicant should hold the whole technical report at disposal of the competent all the right.

Applied EC Directives: 2014/30/EU Electromagnetic compatibility Directive (EMC)
2006/42/EC Machinery Directive

Applied Standards: EN 60335-1:2012/A2:2019
EN 60335-2-77:2010
EN 62233:2008
EN 55014-1:2017/A11:2020
EN 55014-2:2015

2000/14/EC_2005/88/EC Annex VI

For models KS 33LM-20V, KS 43LM-40V
Noise measured $L_{wa} = 93$ dB (A), guaranteed $L_{wa} = 96$ dB (A)



21

Issued Date: 2024-01-10
Place of issue: Duesseldorf
Director: Fomin P.

P. Fomin

DIMAX

International GmbH
Flinger Broich 203 40235 Düsseldorf
USt-ID DE296177274
koenner-soehnen.com

We DIMAX INTERNATIONAL GmbH hereby declare that specified above conforms covering European Parliament and Council Directives, 2006/42/EC of 17 May 2006 Machinery Directive, Electromagnetic compatibility Directive (EMC) 2014/30/EC of 26 February 2014. The CE mark above can be used under the responsibility of manufacturer. After completion of an EC declaration of Conformity and compliance with all relevant EC directives.

CONTACTS

Deutschland:

DIMAX International GmbH
Flinger Broich 203 -FortunaPark-
40235 Düsseldorf, Deutschland
www.koenner-soehnen.com

Ihre Bestellungen

orders@dimaxgroup.de

Kundendienst, technische Fragen und Unterstützung

support@dimaxgroup.de

Garantie, Reparatur und Service

service@dimaxgroup.de

Sonstiges

info@dimaxgroup.de

Polska:

DIMAX International
Poland Sp.z o.o.

Polska, Warczawska,
306B 05-082 Stare Babice,
info.pl@dimaxgroup.de

Україна:

ТОВ «Техно Трейд КС»,
вул. Електротехнічна 47, 02222,
м. Київ, Україна

sales@ks-power.com.ua
