

Please, read this manual
carefully before use!

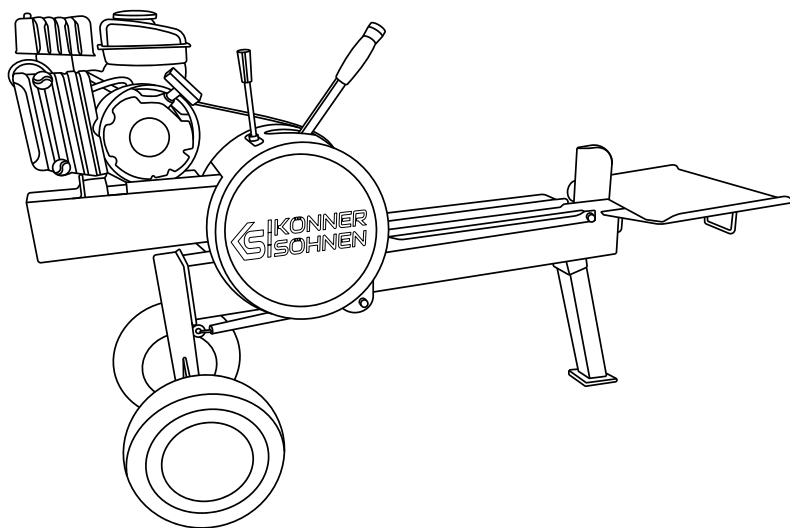
Owner's Manual



TRADITIONELLE DEUTSCHE QUALITÄT

Gasoline Log Splitter

KS 15TKG 52/35
KS 27THG 65/55



K
&
S
Könner
&
Söhne



Thank you for your purchase of **Könner & Söhnen** products. This manual contains a brief description of safety, use and debugging. More information can be found on the official manufacturer's website in the support section: ks-power.de/betriebsanleitungen.

You can also go to the support section and download the full version of the manual by scanning the QR code, or on the website of the official importer of Könner & Söhnen products: www.ks-power.de/en



We care about the environment, therefore, we consider it expedient to save paper and leave in print a short description of the most important sections.



Be sure to read the full version of the manual before getting started!



The manufacturer reserves the right to make changes to the generators, which may not be reflected in this manual. Pictures and photos of the product may vary from its actual appearance. At the end of this manual, you will find contact information which you are free to use in case of any issues.

All data specified in this owner's manual are the most up to date at the time of its publication. The current list of service centers can be found on the website of the official importer: www.ks-power.de/en



ATTENTION – DANGER!



Failure to follow the instructions marked with this sign may lead to serious injury or death of the operator or third parties.



IMPORTANT!



Useful information on operation of the machine.

Safety symbols and description of inscriptions can be found in the full web version.

SAFETY INFORMATION

1



WARNING!



Please, read this manual carefully before use!

PROTECTING YOURSELF AND THOSE AROUND YOU

1.1



WARNING!



This is a high-powered machine, with moving parts operating with high energy. You must operate the machine safely. Unsafe operation can create a number of hazards for you, as well as anyone else in the nearby area.

Always take the following precautions when using this machine:

- Always wear protective goggles or safety glasses with side shields while using the log splitter to protect your eyes from possible thrown debris.
- Avoid wearing loose clothing or jewelry, which can catch on moving parts.
- We recommend wearing gloves while using the log splitter.
- Wear shoes with non-slip treads when using your log splitter. Do not use the machine while barefoot

or wearing open toed sandals.

- Wear long pants while operating the log splitter.
- Keep bystanders at least 50 feet away from your work area at all times. Stop the motor when another person or pet approaches.
- Never allow children to operate the log splitter.
- Keep in mind that the operator or user is responsible for accidents or hazards occurring to other people, their property, and themselves.



WARNING!



Gasoline is a highly flammable liquid. Gasoline gives off flammable vapor that can be easily ignited and cause a fire or explosion.

Always follow these precautions:

- Never run the engine in an enclosed area or without proper ventilation as engine exhaust contains carbon monoxide, which is an odorless, tasteless, and a deadly poisonous gas.
- Replace rubber fuel lines and grommets when worn or damaged and after 5 years of use.
- Fill the fuel tank outdoors with the engine off and allow the engine to cool completely.
- Allow the engine to cool completely before storing. Never store a machine with gasoline in the tank or a fuel container.
- Never make adjustments or repairs with the engine running. Shut down the engine, disconnect

the spark plug wire while keeping it away from the spark plug to prevent accidental starting, and then wait 5 minutes before making adjustments or repairs.

- Never tamper with the engine governor setting.
- Never cover the machine while the muffler is still hot.
- Do not operate the engine with the air filter or the carburetor air intake cover removed. Removal of such parts could create a fire hazard. Do not use flammable solutions to clean the air filter.
- The muffler and engine become very hot and can cause severe burns; do not touch them.

SPECIFICATIONS

2

Model	KS 15TKG 52/35	KS 27THG 65/55
Log splitter type	kinetic	hydraulic
Engine power	6.5 HP	6.5 HP
Splitting force	15 ton	27 ton
Engine type	gasoline	gasoline
Engine model	KS 230	KS 230
Max. splitting length	520 mm	650 mm
Max. splitting diameter	350 mm	550 mm
Cycle time	~ 2 sec.	~ 15 sec.
Operating position	horizontal	vertical/horizontal
Flywheel speed	450 U/min	3.6 l
Fuel tank volume	3.6 l	20 l
Crank case volume	0.6 l	0.6 l
Wheels	12"	16" * 4.8-8.4, support wheel with brake
Gross dimensions (L*W*H)	1400x380x610 mm	2250x505x570 mm
Gross weight	110 kg	295 kg
Protection class	IP54M	IP54M



IMPORTANT!



The diameter listed is indicative of the maximum suggested size. A small log can be difficult to split when it contains knots or a particularly tough fiber.

GETTING STARTED

3

CHECKING THE FUEL LEVEL

1. Unscrew the fuel cap and check the fuel level in the tank.
2. Fill the fuel tank to the fuel filter level.
3. Tighten the fuel cap securely.

Recommended fuel: only unleaded gasoline.

Fuel tank volume: see specifications table.



IMPORTANT!



Wipe up spilled fuel immediately with a clean, dry, soft cloth, as the fuel may harm painted surfaces or plastic parts.



IMPORTANT!



Use only unleaded gasoline. Using leaded gasoline can cause serious damage to the inside of the engine.

CHECKING THE OIL LEVEL

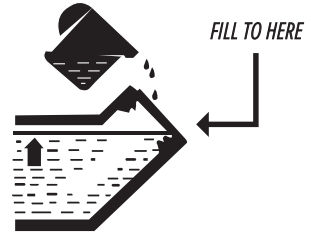
The log splitter is transported free of motor oil. Do not start the engine until it is filled with sufficient amount of motor oil.

1. Unscrew the oil dipstick and wipe it out with a clean cloth.
2. Insert the dipstick without screwing it in.
3. Check the oil level by a mark on the oil dipstick.
4. Add oil if its level is below the mark on the oil dipstick.
5. Screw on the dipstick.

Recommended motor oil: SAE 10W30, SAE 10W40.

Recommended motor oil grade: API Service SG type or higher.

Motor oil quantity: see specifications table.



COMMISSIONING

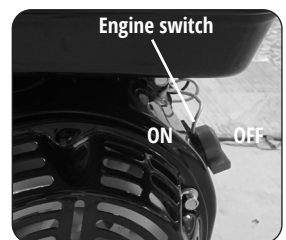
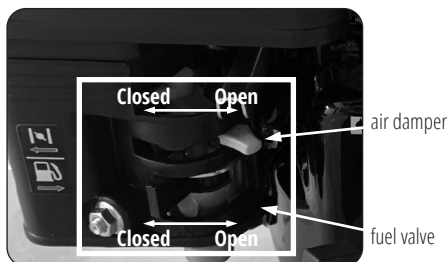
1. Fill the crankcase with engine oil. The recommended amount of oil for each model is indicated in the specification chart.
2. Check oil level with an oil dipstick. It should be between the MIN and MAX marks on the oil dipstick.
3. Check fuel level.
4. Check the air filter for correct installation.

IN THE FIRST 20 OPERATING HOURS, THE FOLLOWING REQUIREMENTS SHOULD BE MET:

1. After the first 20 operating hours, be sure to change the oil. It is better to drain motor oil while the engine is still hot after operation to ensure quick and complete oil draining.
2. Check and clean the air filter and spark plug.

STARTING THE ENGINE

Before starting the engine, make sure the switch is in the "I" (ON) position (see the pictures below). Turn the rotary engine speed dial to MAX. Set the engine switch to the "CHOKE" position. Grasp the starter handle and slowly pull it until resistance is felt, then pull it with a rapid movement all the way. Repeat the operation until the engine starts. After starting the engine, allow the rope to retract without throwing the starter handle. Put the flaps in the "RUN" position.





WARNING!



• Do not reach or step across the beam while the log splitter is running. This is a very UNSAFE method which could cause personal injury or even death.



CAUTION!



• Never attempt to split wood across the grain. The log splitter was not designed for cross-grain splitting. Doing so could damage the log splitter and may cause personal injury.

• Make sure both ends of the log you are splitting are cut as square as possible. This will prevent the log from sliding out of position while under pressure.

STOPPING THE ENGINE

To stop the engine, turn the switch to the "OFF" position. Turn the fuel valve to the "CLOSED" position.

KINETIC LOG SPLITTER KS 15TKG 52/35 OPERATION INSTRUCTIONS

4



NOTICE



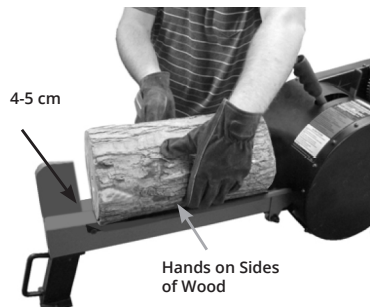
The kinetic log splitter operates differently than a hydraulic splitter. Not operating the machine properly will result in damage to the machine.

Always follow these notices:

- A rapid movement of the engagement handle is necessary for the rack and pinion to engage and disengage fully without damage.
- The engagement handle should never be stopped in any location between the fully forward or fully backward positions.
- Do not hold the handle in the forward position when the ram stops moving forward. Always pull the engagement handle RAPIDLY to the back (auto-retract) position as soon as the log is split or when the ram is at the end of the stroke or when the ram stops moving forward due to a tough log.

1. Place the log on the Log Splitter. Grasp the log on the sides near the middle of the block. Center

the log, side-to-side, on the rail of the Log Splitter. Do not place the log tightly to the cutting knife. The recommended distance from the cutting knife is 4-5 cm.



CAUTION!



The engagement handle must be held fully in the split position against the hard stop when splitting. Failure to do so may result in kickback of the handle.

2. With one hand, actuate and hold the safety lever towards you, then RAPIDLY actuate the engagement handle fully towards the engine until it contacts the hard stop and hold firmly until the log is split.
3. IMMEDIATELY AFTER the log is split, actuate and hold the engagement handle in the auto-retract

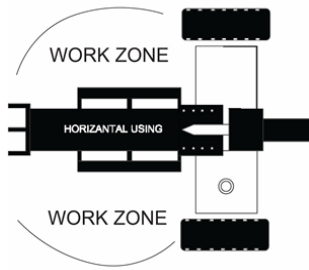
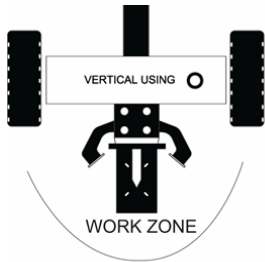
position to allow the ram to return. If the ram stops before the end of the stroke while splitting a tough log, quickly actuate the engagement handle back to the auto-retract position. Let the ram return and allow the flywheels to gain momentum for another full power split.

HYDRAULIC LOG SPLITTER KS 27THG 65/55 OPERATION INSTRUCTIONS

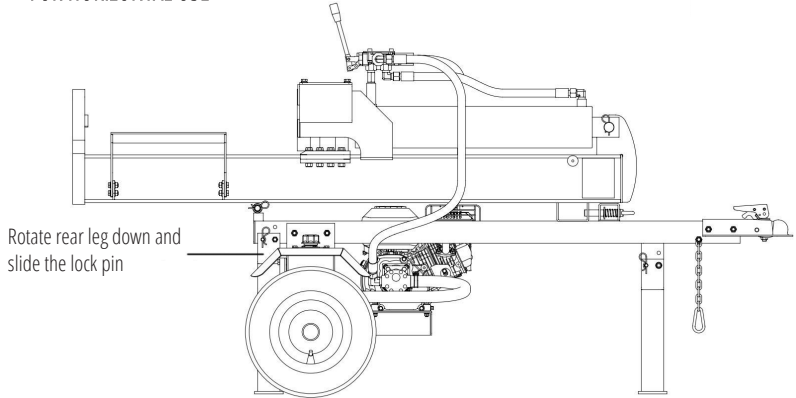
5

1. Load a log onto the beam and against the endplate.
2. Serious accidents can happen when other people are allowed inside the work zone. Keep everyone else out of the work zone while operating the control valve.
3. Make sure hands are clear of crush hazard zones.

- 4). Push the control valve handle FORWARD with two hands to split the log.
- 5). Push the control valve handle BACKWARD with two hands to return wedge to its original position.
- 6). Remove the split wood from the work zone.

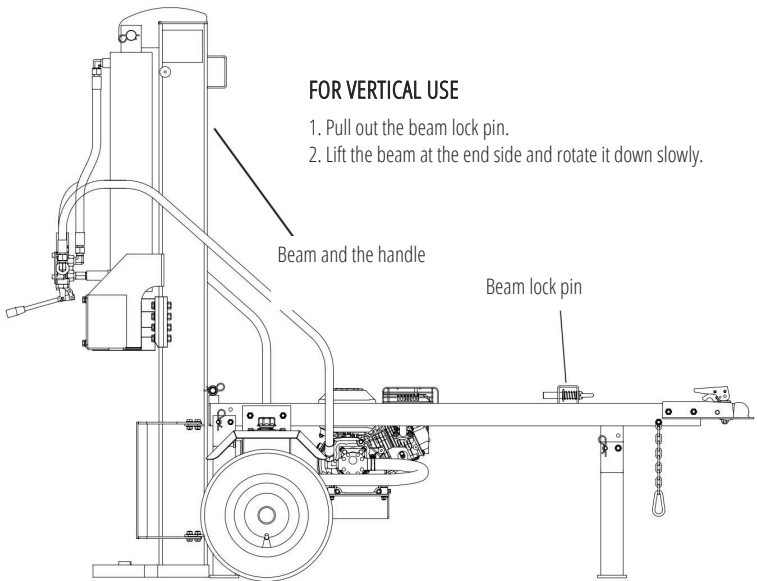


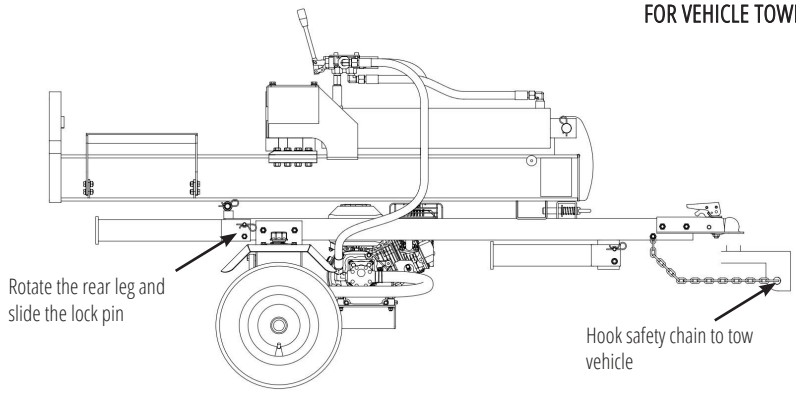
FOR HORIZONTAL USE



FOR VERTICAL USE

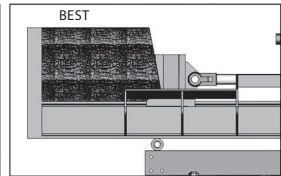
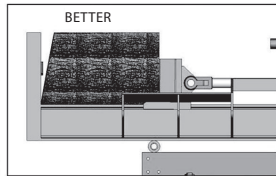
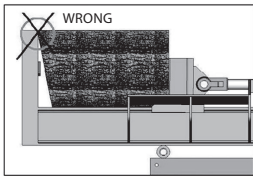
1. Pull out the beam lock pin.
2. Lift the beam at the end side and rotate it down slowly.





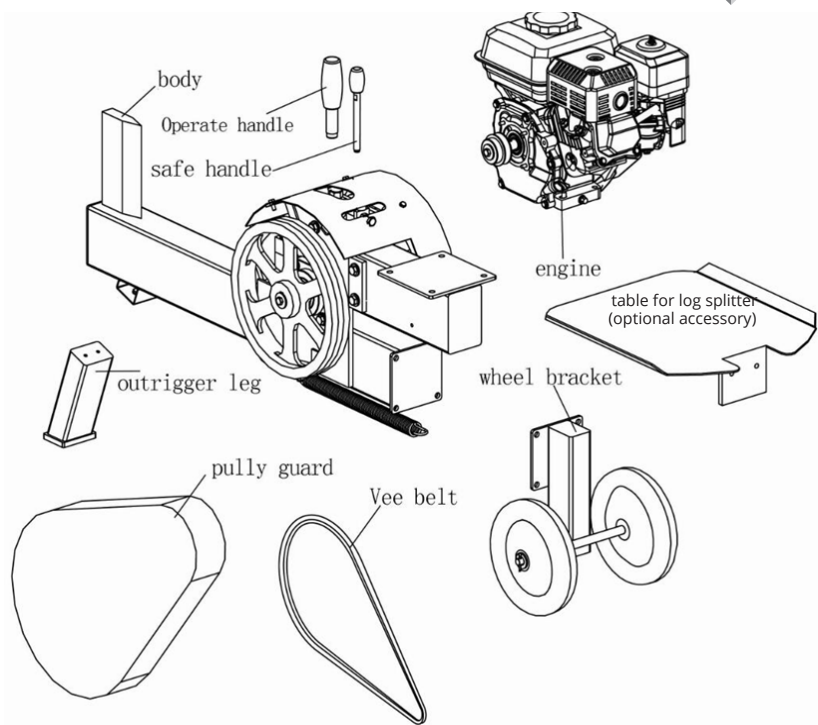
HOW TO SPLIT THE LOG WITH SLANTED SURFACE

5.1



KS 15TKG 52/35 COMPONENTS IN THE PACKAGE

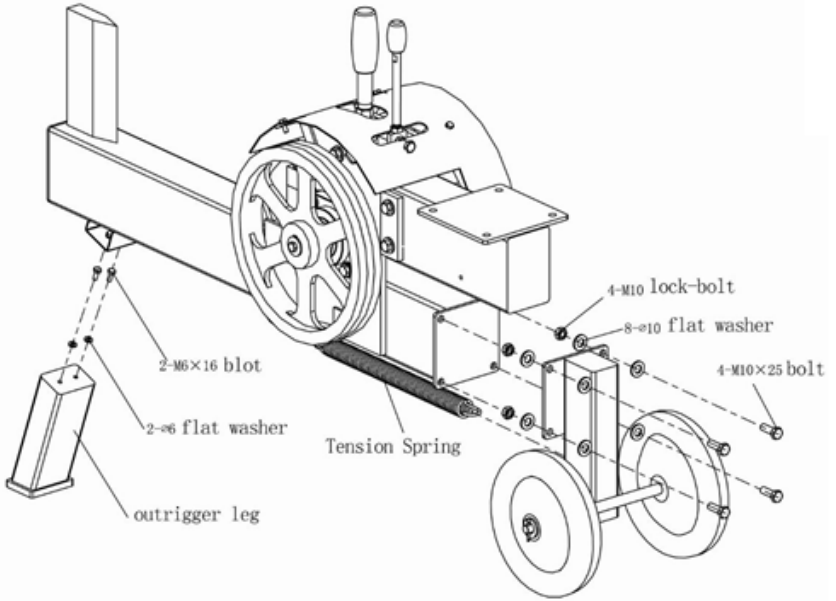
6



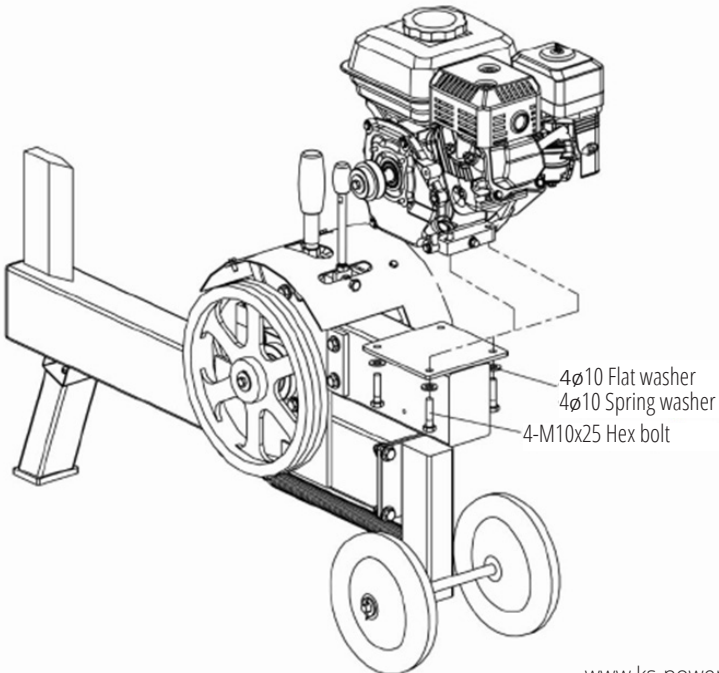
TRADITIONELLE DEUTSCHE QUALITÄT

Könner & Söhne
K&S

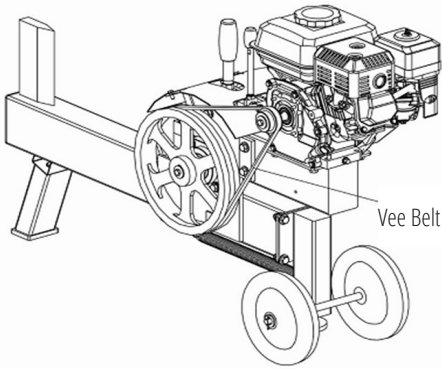
STEP 1



STEP 2

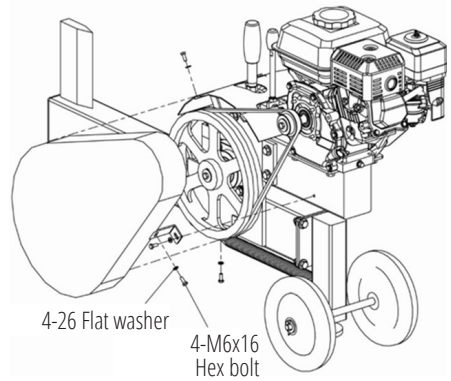


STEP 3



Vee Belt

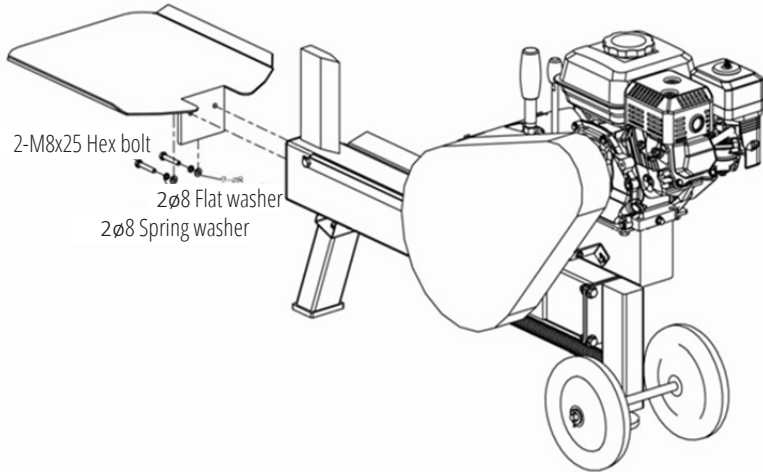
STEP 4



4-26 Flat washer

4-M6x16
Hex bolt

STEP 5



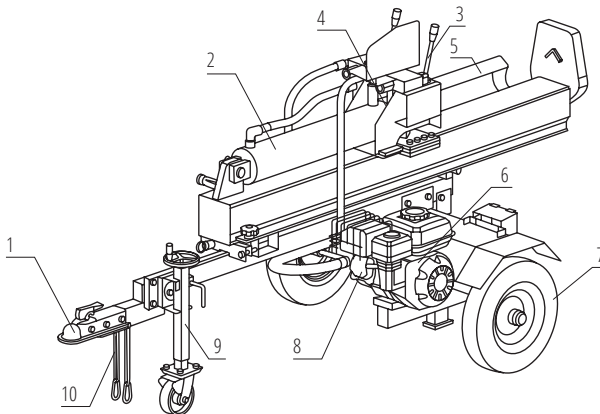
2-M8x25 Hex bolt

2ø8 Flat washer

2ø8 Spring washer

KS 27THG 65/55 MACHINE COMPONENT DEFINITIONS

8



1). **Coupler.** Attaches the log splitter to your vehicle. Couplers vary with the market.

2). **Hydraulic Cylinder.** It is rated to 3500 psi.

3). **Control valve handle.** Use the control valve handle to move the wedge slide forward and backward. A two-handle option is only available for European market.

4). **Wedge.** The wedge features a taper that makes splitting easier; welded cross can be put on.

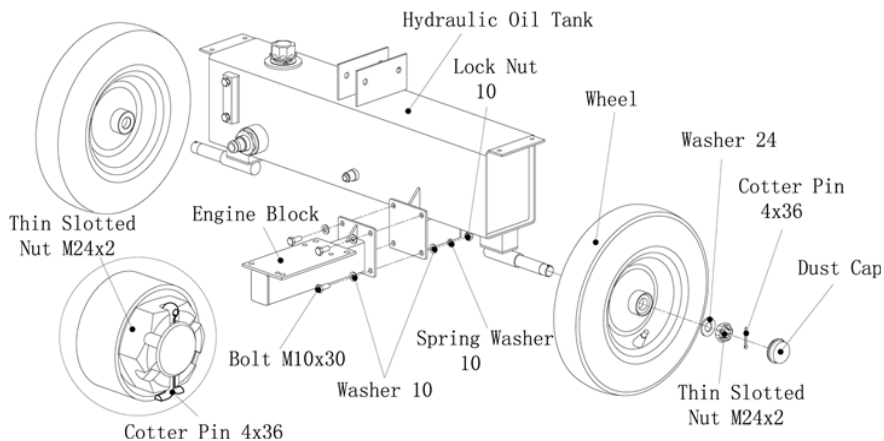
- 5). **Log cradle.** Keeps the log on the beam without operator assistance. Can be upgraded to a bigger table.
- 6). **Engine.** The air cooled engine powers the hydraulic pump.
- 7). **Tires.** Maximum rated speed is 30 mile per hour.
- 8). **Gear pump.** The gear pump makes the hydraulic oil flow through the system.
- 9). **Leg.** The leg supports the log splitter while operating. The leg should be raised while towing(see Operation Instructions).
- 10). **Safety chains.** A safety feature to prevent detachment of log splitter while towing.

HYDRAULIC LOG SPLITTER KS 27THG 65/55 ASSEMBLY

9

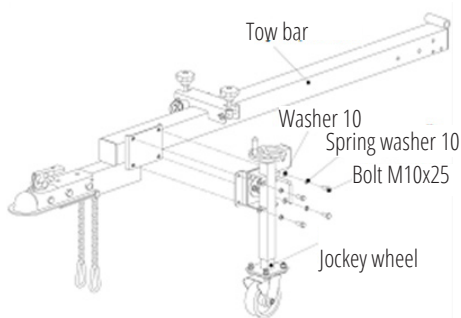
STEP 1: ASSEMBLE THE WHEEL

Fix the wheel to the oil tank by the slotted nut , cotter pin and attach the dust cap.



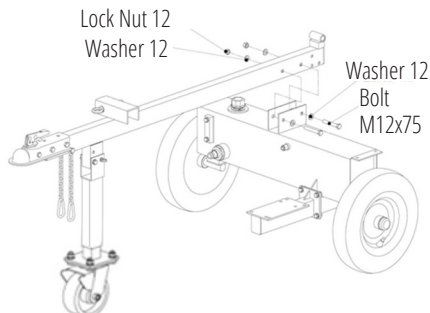
STEP 2: ATTACH THE TOW BAR AND SUPPORT LEG

For model with jockey wheel



Fix the support outrigger leg to the tow bar using the catch pin, bolt M10x75, lock nut M10 and R pin.

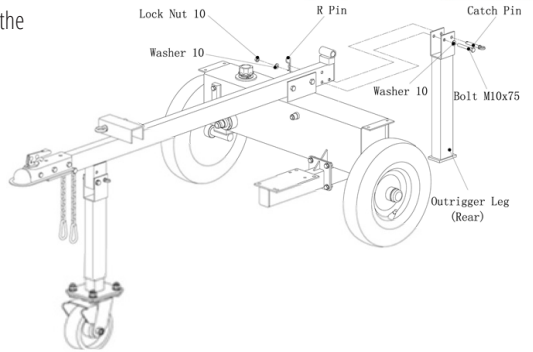
STEP 3: ATTACH THE TOW BAR TO THE OIL TANK



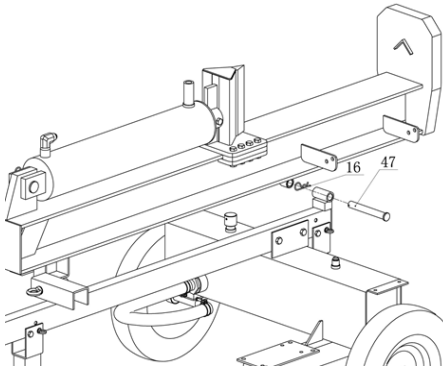
Fix the tow bar to the oil tank using hex bolts M12 and lock nuts M12.

STEP 4: ASSEMBLE THE REAR SUPPORT LEG

Fix the rear outrigger leg to the tow bar using the catch pin, bolt M10, lock nut M10 and R pin.

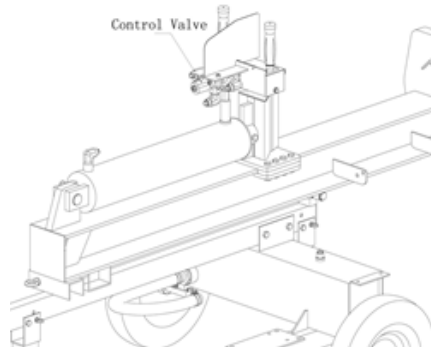


STEP 5: ATTACH THE HYDRAULIC CYLINDER



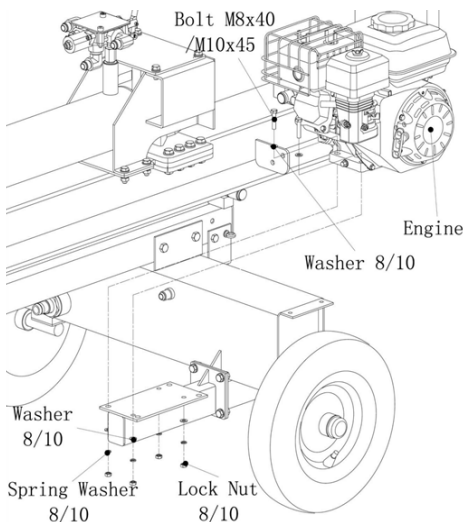
Attach the hydraulic cylinder and the H-beam comb to the tow bar using beam pin #47, and lock it with R pin #16.

STEP 6: ATTACH THE CONTROL VALVE

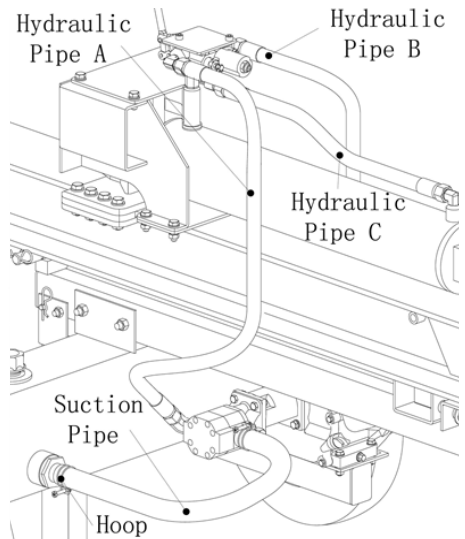


Attach the control valve assembly to the oil cylinder as shown below.

STEP 7: ATTACH THE ENGINE



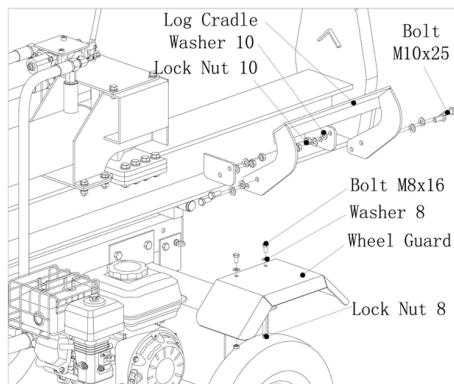
STEP 8: ATTACH THE HYDRAULIC HOSES



Attach the engine to the engine setting board using hex bolt M8, the flat washer, lock washer, and lock nut.

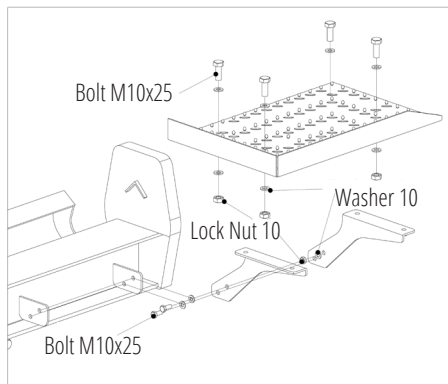
Attach all the hoses to the machine as shown below, including hydraulic oil hose A, oil hose B, oil hose C and oil suction pipe.

STEP 9: ATTACH THE WHEEL FENDER AND LOG CRADLE



1. Attach the left fender and the right fender to the oil tank using hex bolt M8, flat washer Ø8, and lock nut M10.
2. Attached the left and right log cradles using bolt M10 and lock nut M10.

STEP 10: ATTACH BIG TABLE



REGULAR MAINTENANCE CHECKLIST

10

Comply with the instructions in this manual! You can find an updated list of service centers on the website of exclusive importer: www.ks-power.de/en

MAINTENANCE OF AIR FILTER

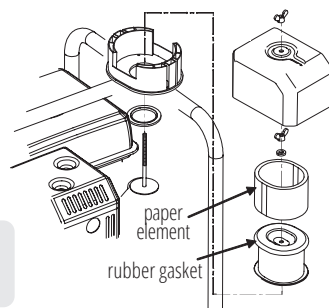
A dirty air filter restricts air flow into the carburetor, decreases engine performance and reduces log splitter performance. Check the air filter and clean it before every start. If the air filter is damaged, replace it. When working in extremely dirty conditions, clean the filter every 10 hours, otherwise replace it every 25 hours if needed.



IMPORTANT!



Never operate the engine without air filter. The air filter prevents high-speed wear of the engine.



SPARK PLUG MAINTENANCE

Spark plug must be intact, free of soot deposits and must have a correct gap.

SPARK PLUG CHECK:

1. Remove the cap from the spark plug.
2. Remove the spark plug by means of a corresponding spanner.
3. Examine the spark plug. If it is shattered, it is necessary to replace it. Recommended replacement spark plugs – F7RTC.
4. Measure the gap. It must be within a range of 0.7 – 0.8 mm.
5. In case of repeated use, the spark plug must be cleaned with a metal brush. After that set the correct gap.
6. Put the spark plug back in its place by means of a spark plug spanner.
7. Replace the spark plug cap.



WARNING!



The equipment is sold without adaptation to the rules of operation and transportation on public roads. In each country, the responsibility for the adaptation rests solely with the buyer.



IMPORTANT



Before long-term storage of the log splitter during the engine work close the fuel valve and let the engine to elaborate gasoline from carburetor. Wait until engine stops itself.

PROCEDURE		Every start or 20 hours	Before each use	Every 5 hours	Each 3 months or after 50 working hrs	Each 6 months or after 100 working hrs	Every year or after 150 working hrs
Motor oil	Check		☑				
	Replace	☑			☑		
Hydraulic oil for model KS 27THG 65/55	Check		☑				
	Replace						☑
Air filter	Check		☑				
	Clean out	☑					
	Replace				☑		
Check general equipment	Check		☑				
Grease surface of slide rail	Lubricate		☑	☑			
Check belts	Check	☑		☑			
Grease rack and pinion	Lubricate		☑	☑			
Clean engine exterior and cooling	Clean out			☑			
Spark plug	Gap check and control				☑		
	Replace					☑	

LUBRICATION



WARNING!



All bearings of your splitter are sealed units and should be sufficiently lubricated to last the life of your machine with normal use.

The rack and pinion should be completely greased before every use. Before performing any maintenance procedure or inspection, stop the engine, wait five minutes to allow all parts to cool. Disconnect the spark plug wire, keeping it away from the spark plug.

Before performing maintenance, the hydraulic log splitter must be placed in maintenance mode.

- 1). Turn off the engine.
- 2). Move the control valve handle forward and backward to relieve hydraulic pressure.

After performing maintenance, make sure all guards, shields, and safety features are put back in place. Failure to follow this warning can result in serious injury.

What	When	How
Hoses	Every use	Inspect for exposed wire mesh and leaks. Replace all worn or damaged hoses before starting the engine.
Hydraulic fittings	Every use	Inspect for cracks and leaks. Replace all damaged fittings before starting the engine.
Nuts and bolts	Every use	Check for loose bolts.
Beam	Every use	Apply grease to beam surface.
Moving parts	Every use	Clear debris.

REPLACING HYDRAULIC OIL FOR MODEL KS 27THG 65/55

Replace the hydraulic oil in the log splitter after every 150 hours of use. Take the following steps to replace the oil:

1. Make sure all moving parts are stopped and the log splitter is unplugged.
2. Unscrew the oil drain bolt.
3. Place a drip tray under it to drain spent oil.
4. Fill with fresh hydraulic oil. As stated in the Specifications Table on page 2 the correct oil capacity is 20 L.
5. Clean the surface of the dipstick, which is attached to the oil drain bolt, with a clean lint free cloth and put back into the tank to check the new level. Make sure the level of the refilled oil is just between the two grooves around the dipstick.
6. Clean the oil drain bolt before screwing it back. Make sure it is tightened to avoid leakage before placing the log splitter horizontally.



NOTICE



Periodically check the oil level to ensure it is between the two grooves on the dipstick. Refill when the oil reaches the lower level.

Use hydraulic oil SO VG 22.

The following hydraulic oils or equivalent are recommended for the log splitter's hydraulic transmission system:

- SHELL Tellus 22
- MOBIL DTE 11
- ARAL Vitam GF22
- BP Energol HLP-HM22

TROUBLESHOOTING

Malfunktion	Possible trouble	Troubleshooting
The engine does not start	Insufficient oil in pump	Check oil level in reservoir
	Air in oil	Check oil level in reservoir
	Engine circuit breaker is in the OFF position	Bring the engine circuit breaker to ON position

Malfunktion	Possible trouble	Troubleshooting
	There is no fuel in the tank	Add fuel, clean the fuel line
	Clogged fuel line	Always use fresh fuel of branded varieties, good unleaded gasoline
	Pool, old or contaminated fuel in the tank	Clean fuel tank, fuel line to the carburetor
	The air filter is dirty	Clean the air filter
	Spark plug wire disconnected from spark plug; high voltage wires badly loosen in plug	Insert the plug wire to the spark plug; check the connection between the high voltage wire and plug
	Spark plug is blacken with smoke or damaged; wrong distance between the electrodes	Clean or replace the spark plug; set the distance between electrodes
	Engine «drowned» after several attempts to launch	Unscrew and dry the spark plug, pull the rope several times when spark plug is off; fuel supply controller is in STOP position
	Low crankcase oil	Add oil to the crankcase
Hard start or decreased engine power	The fuel tank is dirty	Clean fuel tank
	The air filter is dirty	Clean the air filter
	Spark plug is sooted	Clean the spark plug
	Water in the fuel tank and carburetor; carburetor is occluded	Empty the fuel tank; clean the fuel line and carburetor
Engine overheating	Wrong distance between spark plug electrodes	Set the right distance between spark plug electrodes
	The air filter is dirty	Clean the air filter
	Cooling ribs are dirty	Clean the cooling ribs
	Too low level of engine oil	Add engine oil
Increased vibration when working	Weakened engine mounts	Tighten the engine screws

WARRANTY SERVICE TERMS

11

The international manufacturer warranty is 1 year. The warranty period starts from the date of purchase. In cases where a warranty period is longer than 1 year according to local legislation please contact your local dealer. The Seller of the product is responsible for granting the warranty. Please contact the Seller for warranty. If the product fails within the warranty period because of defects in workmanship, it will be exchanged for the same product or repaired.

The warranty card should be kept throughout the warranty period. In case of warranty card loss, a second one will not be provided. The Customer must provide the warranty card and proof of purchase when requesting any repair or exchange. Otherwise, the warranty service will not be provided. The warranty card attached to the product during sale should be correctly and fully completed by the retailer and customer, signed and stamped. In other cases, the warranty shall be deemed invalid.

Provide clean product to the service center. Parts that must be replaced are the property of the service center.



EC Declaration of Conformity

Nr. 088

The following products have been tested by us with the listed standards and found in compliance with the European Community Machinery Directive 2006/42/EC, Electromagnetic compatibility Directive (EMC) 2014/30/EC, Noise Directive 2000/14/EC.

Manufacturer: DIMAX INTERNATIONAL GmbH
Address: Hauptstr. 134, 51143 Cologne, Germany

Product: Gasoline log splitter "Könner & Söhnen"

Type / Model: KS 15TKG 52/35, KS 27THG 65/55

The statement is based on a single evaluation of above mentioned products. It does not imply an assessment of the whole production and does not permit the use of the test lab. logo. The manufacturer should ensure that all product in series production are in conformity with the product sample detailed in this report. The applicant should hold the whole technical report at disposal of the competent all the right.

Applied EC Directives: 2006/42/EC Machinery Directive
2000/14/EC Noise Directive (amended by 2005/88/EC)
2014/30/EC Electromagnetic compatibility Directive
(EU) 2016/1628 Non-Road mobile machinery emissions

Applied Standards: EN ISO 12100:2010
EN 609-1;2017
EN 55014-1:2017
EN 55014-2:1997/A2:2008
EN 61000-3-2:2014
EN 61000-3-3:2013

Gasoline engine KS 230 corresponds to European Emission Standard Euro V.
This is confirmed by EU TYPE-APPROVAL CERTIFICATE granted by NSAI certification.
Technical service responsible for carrying out the test - TÜV SÜD Auto servise GmbH in München, Germany
Date of issue 17/01/2019

2000/14/EC_2005/88/EC Annex VI

For model KS 15TKG 52/35, KS 27THG 65/55 noise guaranteed $L_{wa} = 99$ dB (A).



19

Issued Date: 2020-10-06
Place of issue: Cologne city
General director: Fomin P. *P. Fomin*

DIMAX
International
GmbH
Steuer-Nr.: 103 5722 2493
USt-IdNr.: DE29617274

We DIMAX INTERNATIONAL GmbH hereby declare that specified above conforms covering European Parliament and Council Directives, 2006/42/EC of 17 May 2006 Machinery Directive, Electromagnetic compatibility Directive (EMC) 2014/30/EC of 26 February 2014, Noise Directive 2000/14/EC of 8 May 2000. The CE mark above can be used under the responsibility of manufacturer. After completion of an EC declaration of Conformity and compliance with all relevant EC directives.

CONTACTS

Deutschland:

DIMAX International GmbH
Deutschland, Hauptstr. 134,
51143 Köln,

www.ks-power.de

Ihre Bestellungen

orders@dimaxgroup.de

Kundendienst, technische Fragen und Unterstützung

support@dimaxgroup.de

Garantie, Reparatur und Service

service@dimaxgroup.de

Sonstiges

info@dimaxgroup.de

Polska:

DIMAX International
Poland Sp.z o.o.

Polen, Warczawska, 306B
05-082 Stare Babice,

www.ks-power.pl
info.pl@dimaxgroup.de

Україна:

ТОВ «Техно Трейд КС», вул.
Електротехнічна 47, 02222,
м. Київ, Україна

www.ks-power.com.ua
sales@ks-power.com.ua

Россия:

ТД «Рус Энержи К&С» 129090,
г.Москва, проспект Мира,
д.19, стр.1, эт.1, пом.1,
комн.66, офис 99В

www.ks-power.ru
info@ks-power.ru